

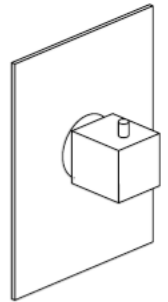
84711SQ

3/4" Thermostatic Valve Trim

needs rough VALVE 711

FINISHES

- 84711SQPC Polished Chrome
- 84711SQBN Brushed Nickel
- 84711SQBB Brushed Black



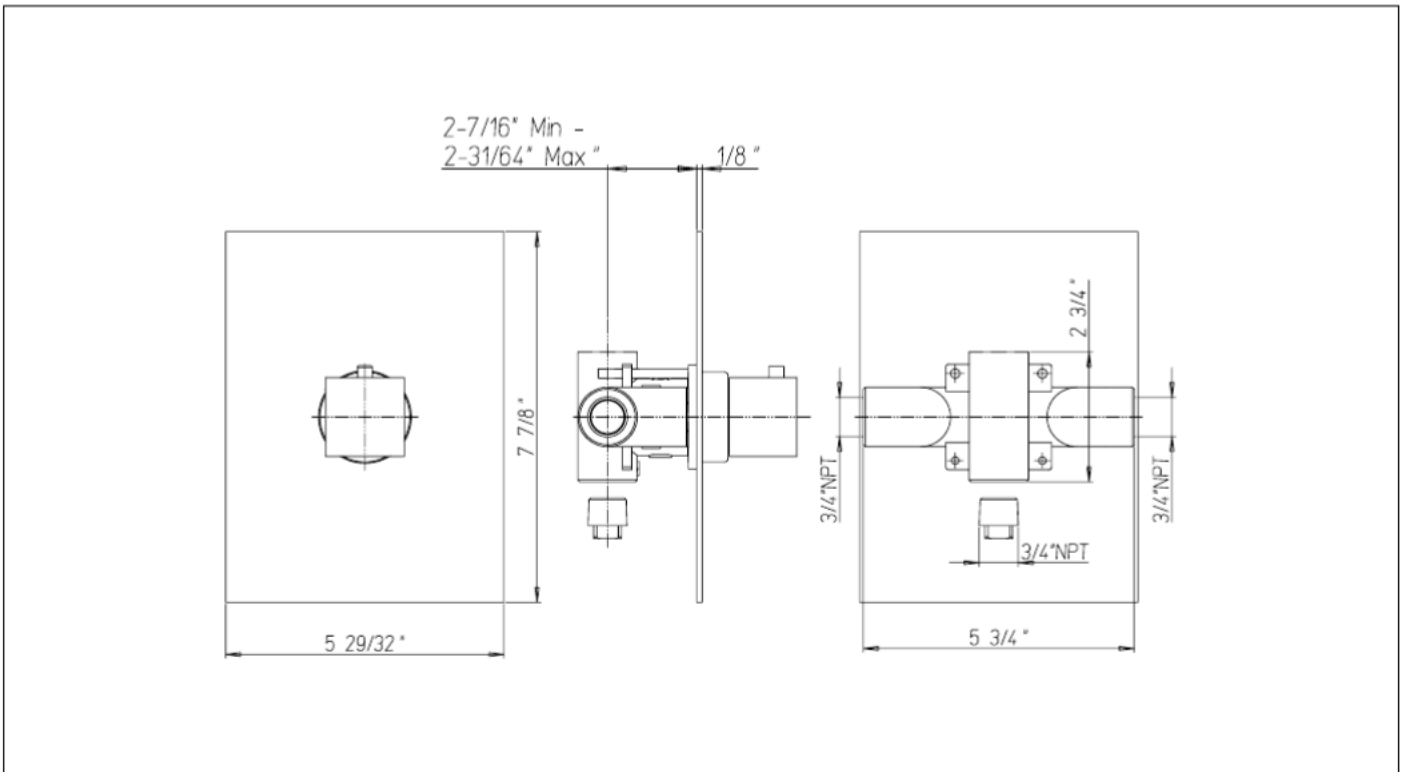
STANDARDS

- Compliant with ASME A112.18.1 - CSA B125.1 when sold with rough valve
- Certified by IAPMO R&T Lab when sold with rough valve

FEATURES

- Solid Brass Construction
- Complete Trim Kit
- Thermo Control Cartridge
- Independent Temperature Control
- Step-By-Step Installation Instructions

DIMENSIONS



Project _____
 Contractor _____