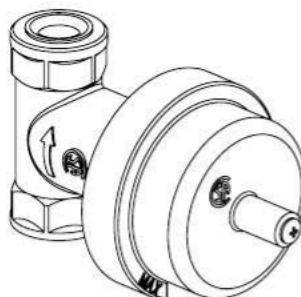


VALVE400

1/2" Volume Control
Rough-in Valve



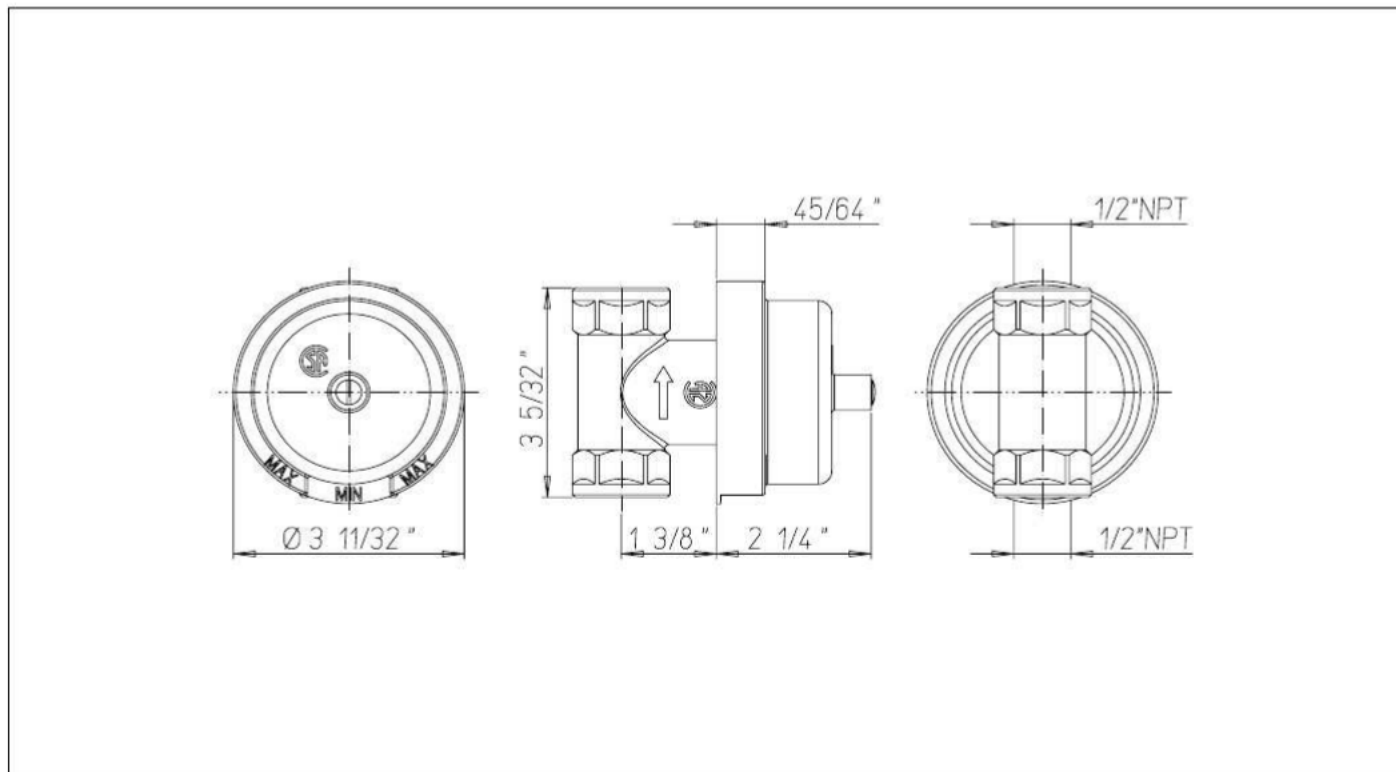
STANDARDS

- Compliant with ASME A112.18.1 B125.1 when sold with external trim
- Certified by or IAPMO R&T Lab when sold with external

FEATURES

- 1/4 turn ceramic disc valve
- 1/2" NPT connections
- Flows 12.5 GPM @ 60 PSI
- Step-By-Step Installation Instructions
- Limited Lifetime Warranty

DIMENSIONS



Project _____
Contractor _____