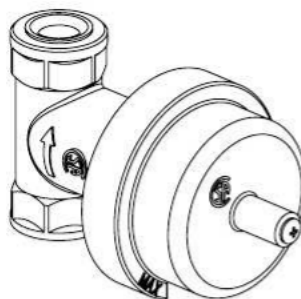


**VALVE402**

3/4" Volume Control  
Rough-in Valve



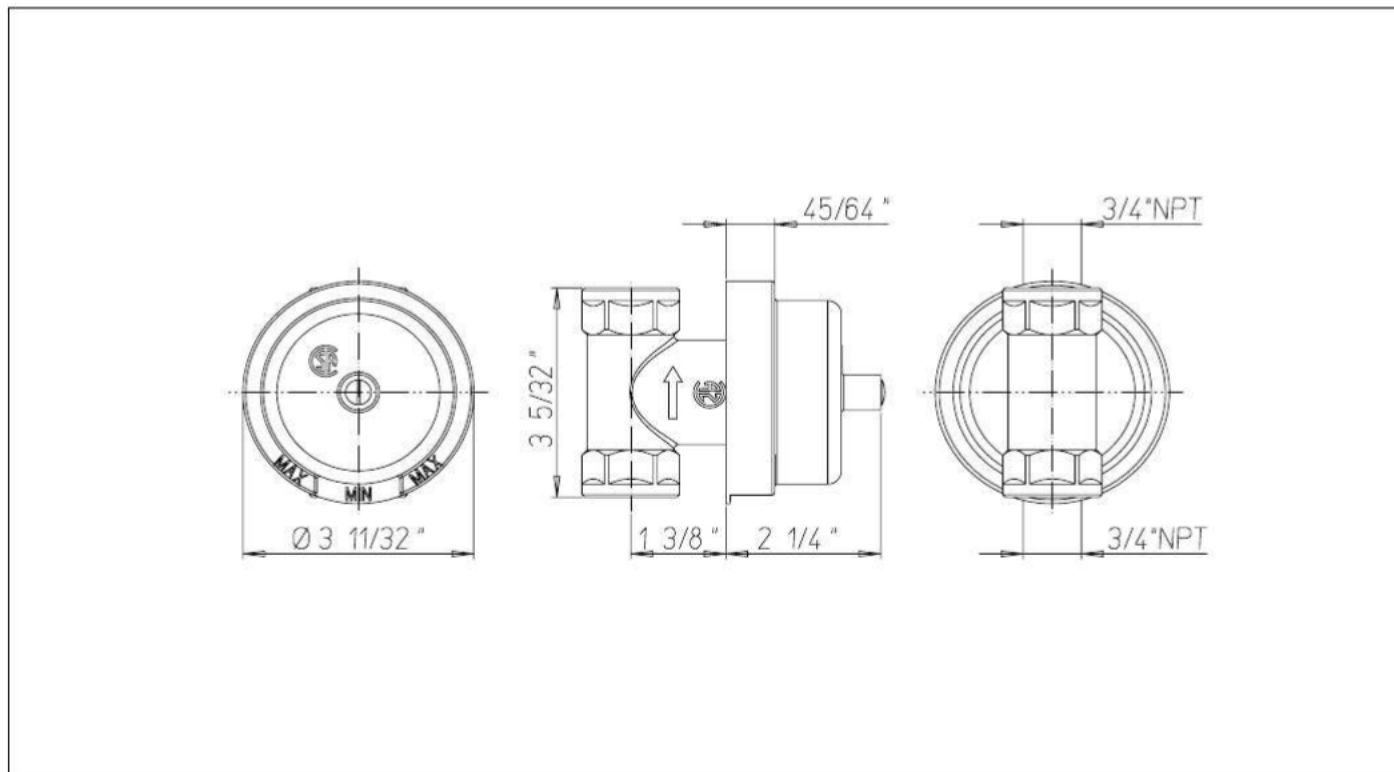
**STANDARDS**

- Compliant with ASME A112.18.1 B125.1 when sold with external trim
- Certified by or IAPMO R&T Lab when sold with external

**FEATURES**

- 1/4 turn ceramic disc valve
- 3/4" NPT connections
- Flows 15.0 GPM @ 60 PSI
- Step-By-Step Installation Instructions
- Limited Lifetime Warranty

**DIMENSIONS**



Project \_\_\_\_\_  
Contractor \_\_\_\_\_