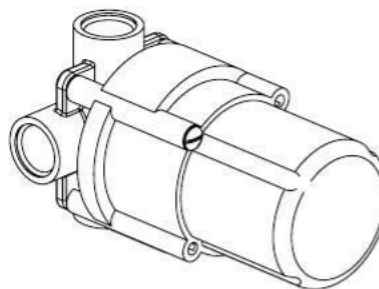


VALVE425

1/2" Diverter Rough-in Valve



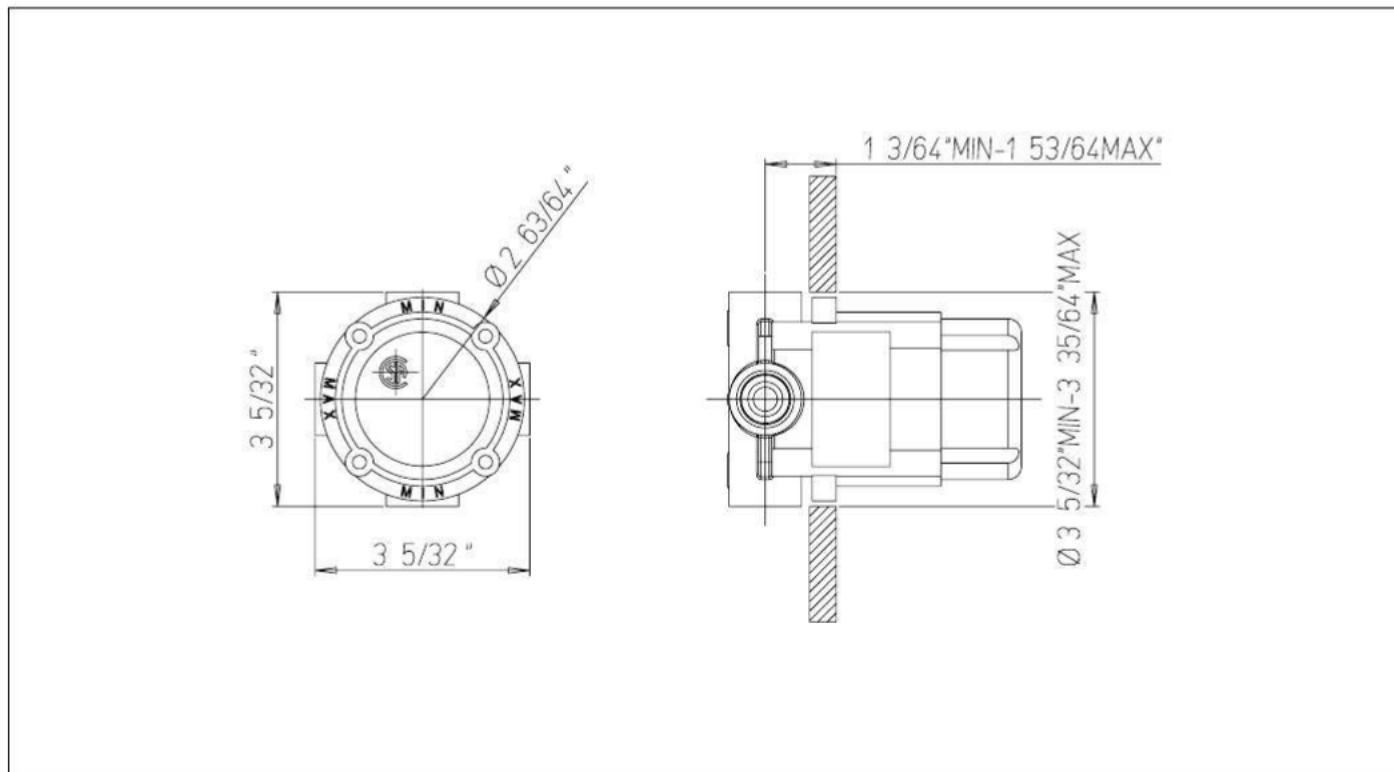
STANDARDS

- Compliant with ASME A112.18.1 B125.1 when sold with external trim
- Certified by or IAPMO R&T Lab when sold with external

FEATURES

- Ceramic disc valve
- 1/2" NPT connections
- 3 way diverter
- Step-By-Step Installation Instructions
- Limited Lifetime Warranty

DIMENSIONS



Project _____
 Contractor _____