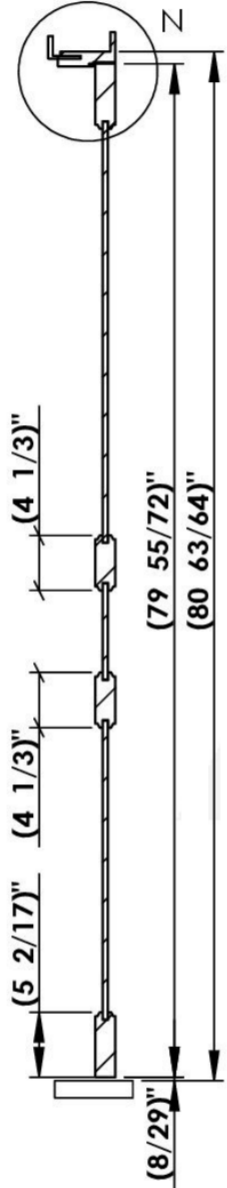
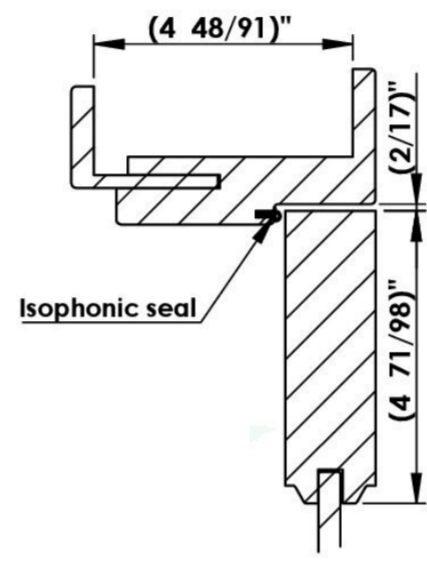


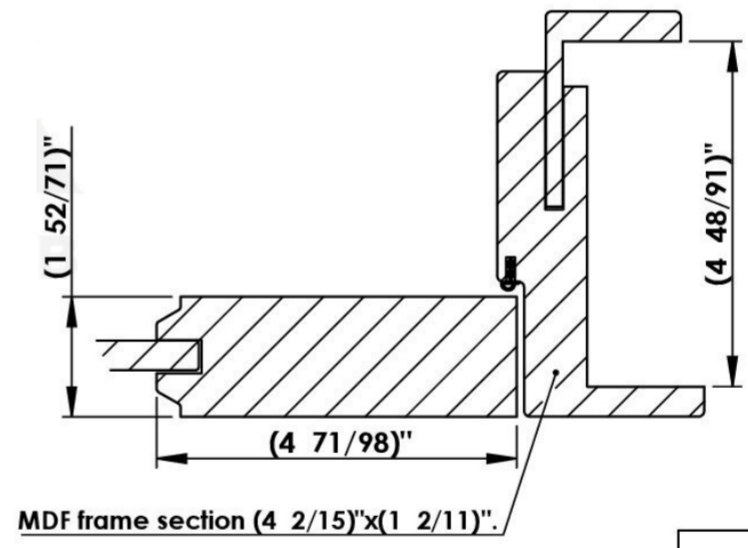
CUT M-M
SCALE 1 : 18



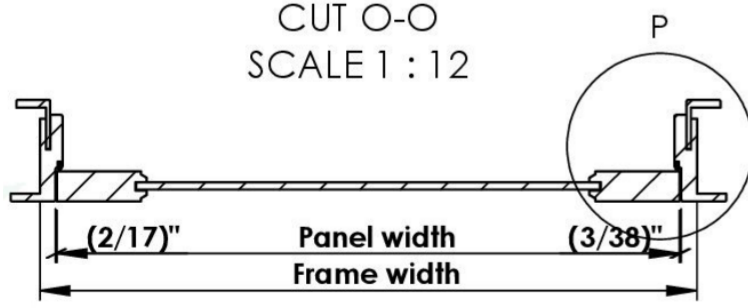
DETAIL N
SCALE 1 : 4



DETAIL P
SCALE 1 : 3



CUT O-O
SCALE 1 : 12



With SLOPE.
Edge banding on 4 Sides.

Lock drilling.
Stainless steel (5 22/43)\" Hinges.

REF	PANEL WIDTH	FRAME WIDTH
003-2	(31 ⁴⁷ / ₆₄)"	(33 ⁵ / ₈)"
003-3	(27 ⁵¹ / ₆₄)"	(29 ¹¹ / ₁₆)"
003-4	(29 ⁴⁹ / ₆₄)"	(31 ²¹ / ₃₂)"
003-5	(35 ³ / ₄)"	(37 ⁴¹ / ₆₄)"