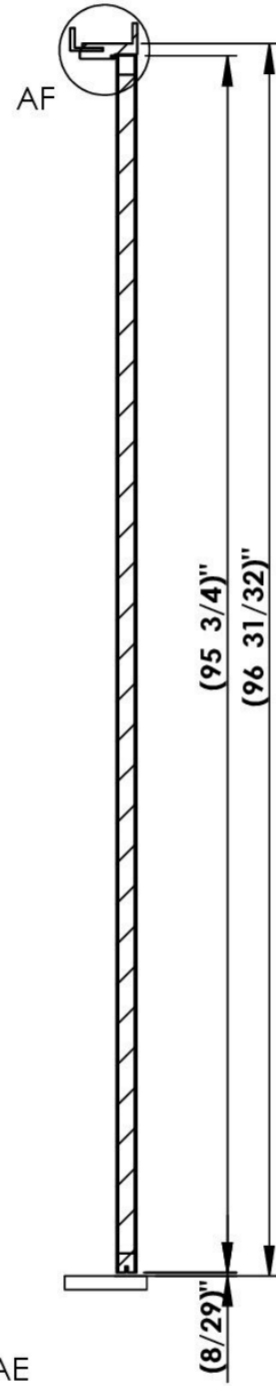
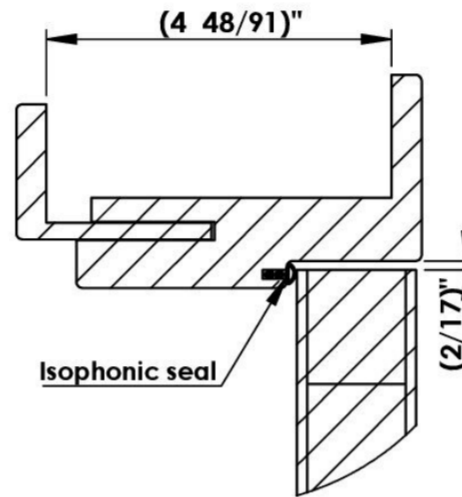


CUT AD-AD  
SCALE 1 : 12

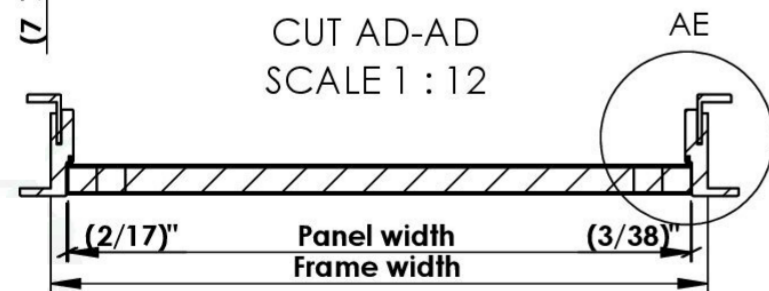
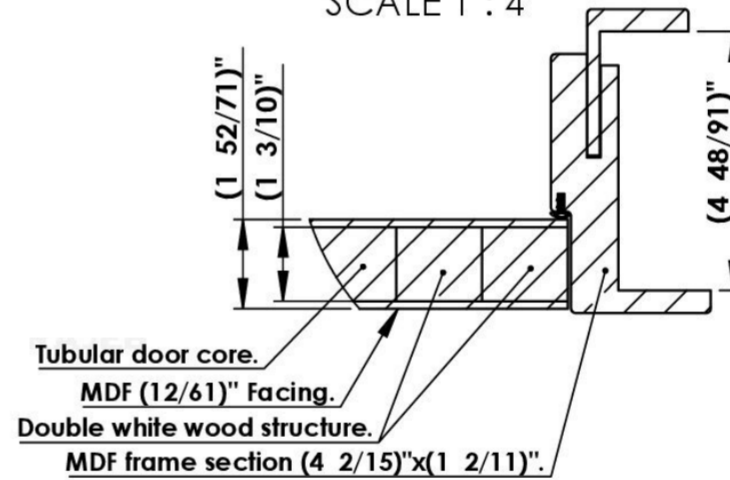
CUT AC-AC  
SCALE 1 : 18



DETAIL AF  
SCALE 1 : 3



DETAIL AE  
SCALE 1 : 4



Lock drilling.  
 Stainless steel (5 22/43)" Hinges.

**With SLOPE.**  
**Edge banding on 4 Sides.**

REF	PANEL WIDTH	FRAME WIDTH
101-1	(35 3/4)"	(37 41/64)"
101-2	(31 47/64)"	(33 5/8)"
101-3	(29 49/64)"	(31 21/32)"