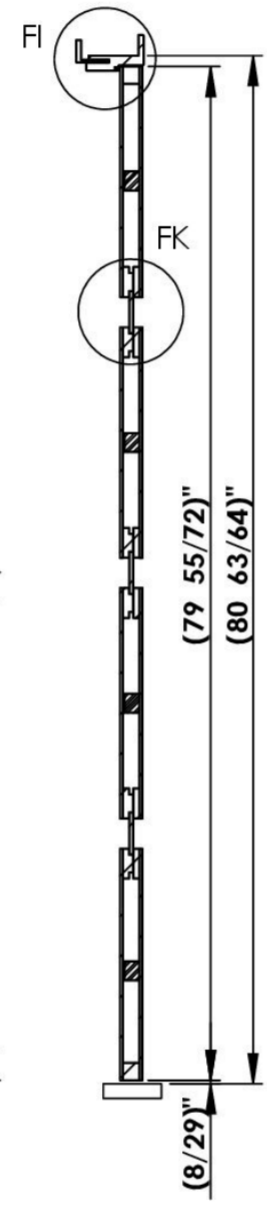
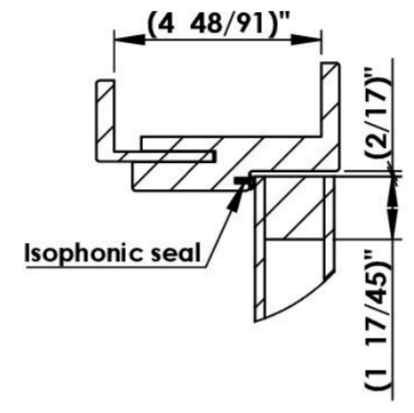


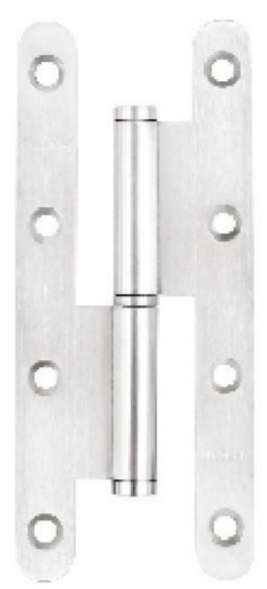
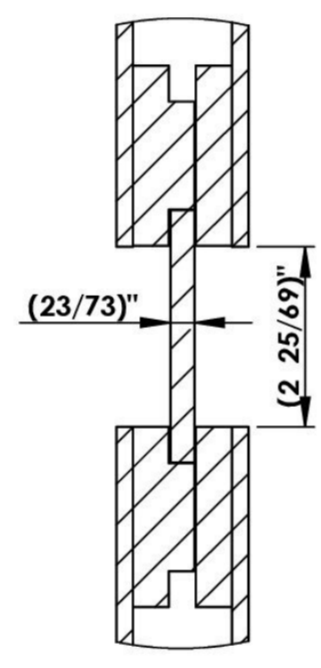
CUT FG-FG
SCALE 1 : 18



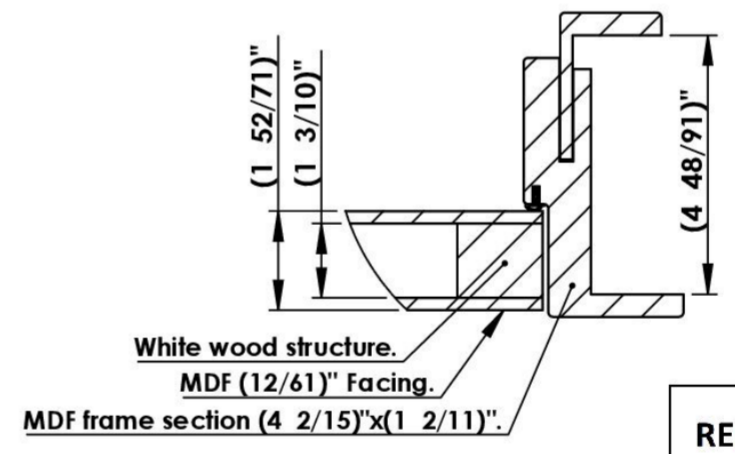
DETAIL FI
SCALE 1 : 5



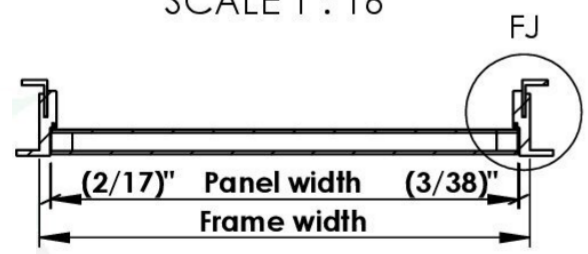
DETAIL FK
SCALE 1 : 3



DETAIL FJ
SCALE 1 : 4



CUT FH-FH
SCALE 1 : 16



Lock drilling.
Stainless steel (5 22/43)\" Hinges.

With SLOPE.
Edge banding on 4 Sides.

REF	PANEL WIDTH	FRAME WIDTH
002-2	(31 47/64)\"	(33 5/8)\"
002-3	(27 51/64)\"	(29 11/16)\"
002-4	(29 49/64)\"	(31 21/32)\"
002-5	(35 3/4)\"	(37 41/64)\"