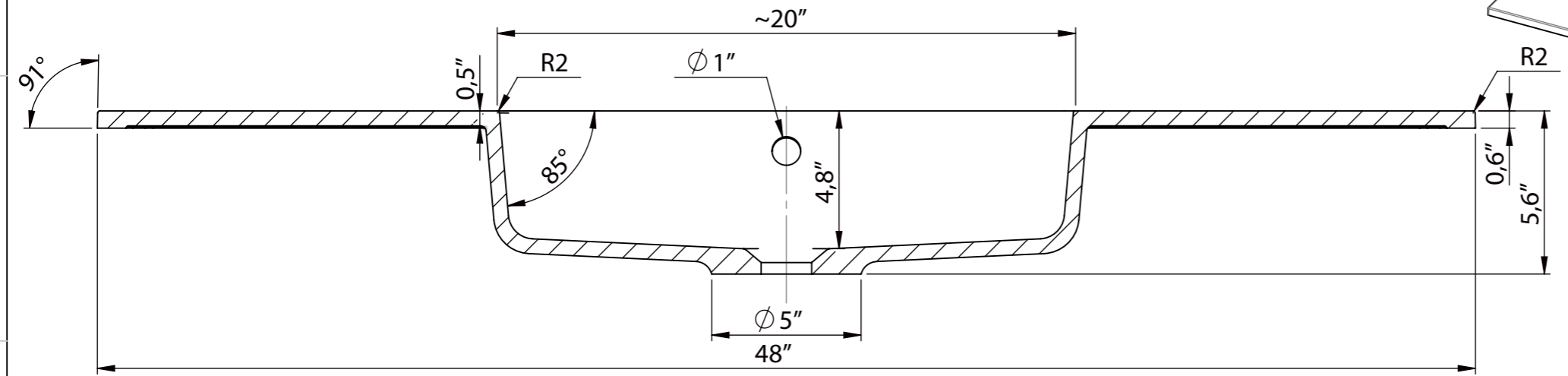


Rev	Design Change Note	Author	Date
001	Approved	ZP	2015-10-07

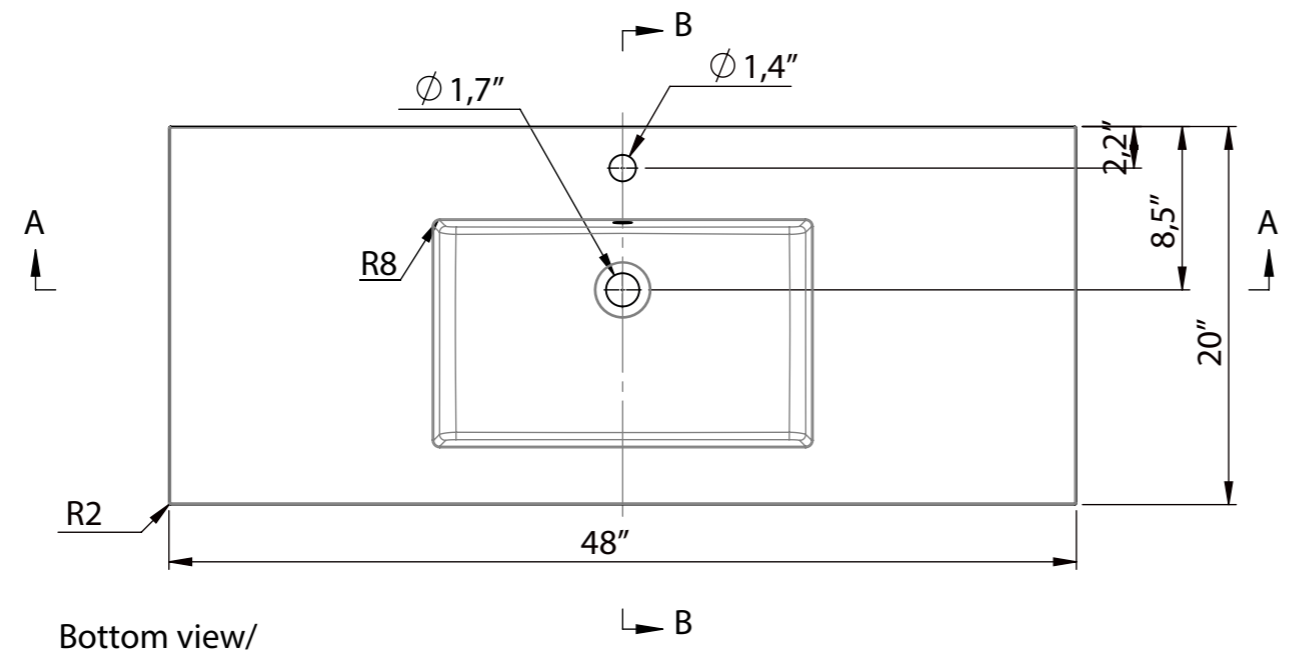
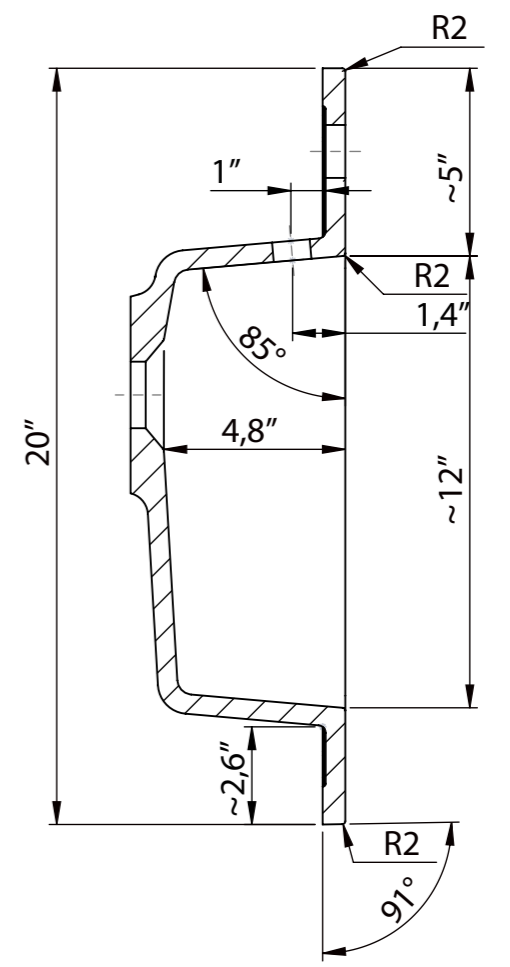
A
B
C
D
E
F

A
B
C
D
E
F

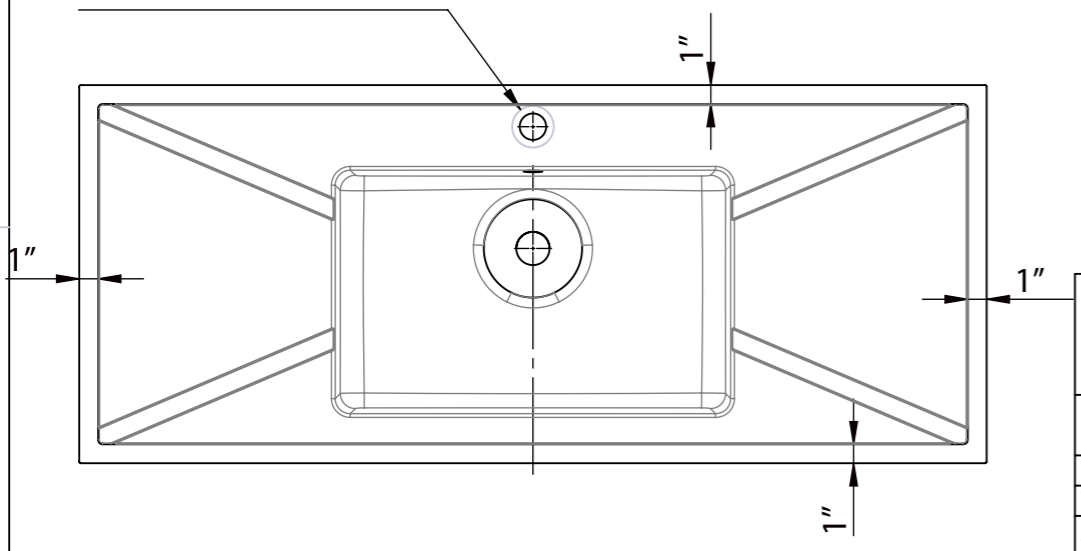
A-A (1:5)



B-B (1:5)



Bottom view/



Tolerance total	length	+0,1"/0
	width	+0,08"/0
	height	+0,08"/-0,08"
Tol. height side walls	≤1"	+0,04"/-0,04"
	>1"	+0,08"/-0,08"
Tolerance holes location		+0,08"/-0,08"
Tolerance holes diameter		+0,04"/-0,04"
Tolerance plane bending		+0,06"/-0,06"

Drawn by	Created Date	Checked by
Zbigniew P	2015-10-07	Rafal B
Project status	Client	
Approved	Hintex	

Art. Name:	LAURETTA NEW 1200C
Art. No.:	6248371211xx
Mould No.:	FJ301121
Customer ID:	STD

Mariolli

Material volume	Overflow	Taphole	Main dimensions L x W / H	Drain
0,4ft ³	Yes	1	48" x 20" / 5,6"	Regular
Surface area	Sheet Size	Scale	Current revision	
17ft ²	A3	1:10	001	

This document must not be copied without our written permission, and the contents thereof must not be imparted to a third party nor be used for any unauthorized purpose. Contravention will be prosecuted.

1 2 3 4 5 6 7 8