

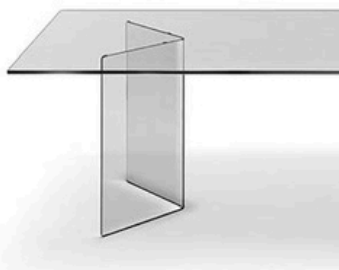


# corner

DESIGN  
CRS FIAM

Tavolo composto da basi in vetro curvato da 0.47" con lati da 17.72" e piano in vetro da 0.59" temperato.

Table with 0.47" thick curved glass base (sides 17.72") and 0.59" thick tempered glass top.

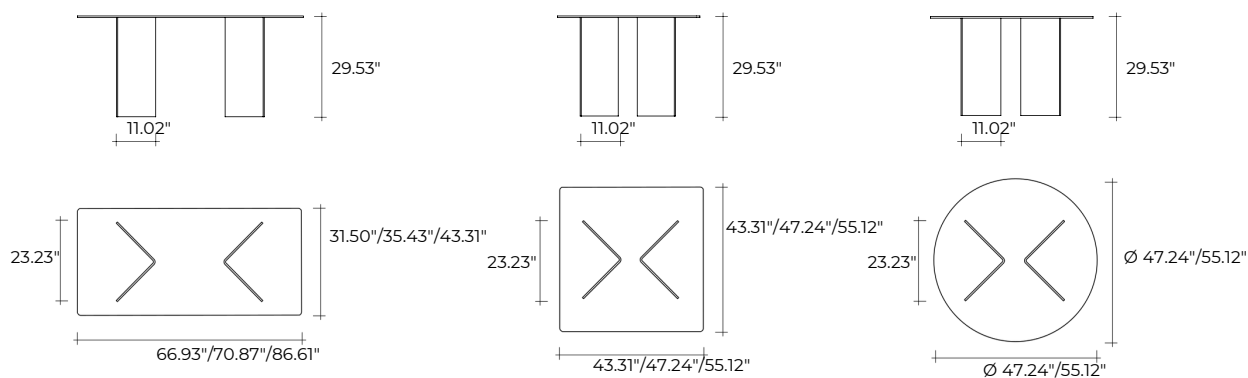


portata sul piano: 150 kg  
load capacity on the top: 150 kg

PIANO RETTANGOLARE  
RECTANGULAR TOP

PIANO QUADRATO  
SQUARE TOP

PIANO ROTONDO  
ROUND TOP



dimensioni L/Ø, P, H  
dimensions L/Ø, W, H

COD./CODE

L/Ø

P/W

H

peso netto  
net weight  
(kg)

peso lordo  
gross weight  
(kg)

volume imballo  
package volume  
(m<sup>3</sup>)

Tavolo in vetro con piano rettangolare.  
Glass table with rectangular top.

CO/R170	66.93"	31.50"	29.53"	86	104	0,40
CO/R180	70.87"	35.43"	29.53"	96	115	0,42
CO/R220	86.61"	43.31"	29.53"	126	147	0,48

Tavolo in vetro con piano quadrato.  
Glass table with square top.

CO/Q110	43.31"	43.31"	29.53"	80	99	0,39
CO/Q120	47.24"	47.24"	29.53"	89	109	0,41
CO/Q140	55.12"	55.12"	29.53"	108	129	0,45

Tavolo in vetro con piano rotondo.  
Glass table with round top.

CO/T120	Ø47.24"	29.53"	78	97	0,41
CO/T140	Ø55.12"	29.53"	93	114	0,45

MISURE MASSIME con 2 basi:

RETTANGOLARE - 86.61"x43.31"

QUADRATO - 55.12"x55.12"

ROTONDO - Ø 55.12"

MAXIMUM MEASURES with 2 bases:

RECTANGULAR - 86.61"x43.31"

SQUARE - 55.12"x55.12"

ROUND - Ø 55.12"