



cristaline

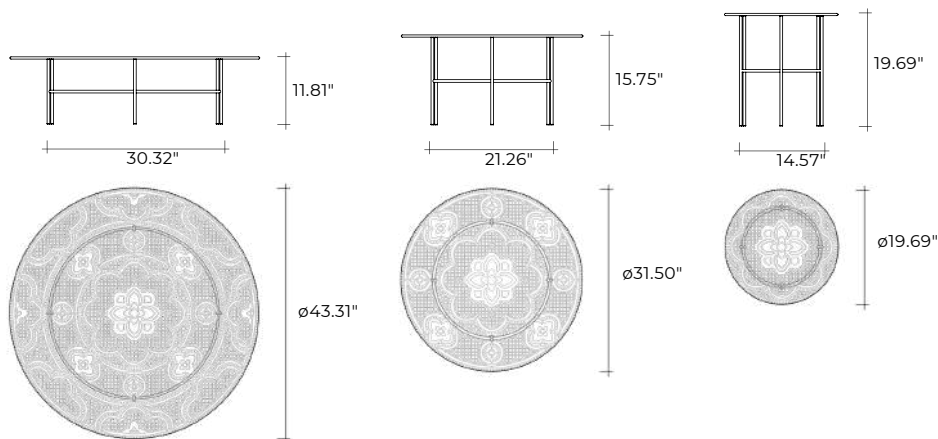
DESIGN MARCEL
WANDERS STUDIO

modello registrato
registered model

portata sul piano: 30 kg
load capacity on top: 30 kg

Tavolino con piano in vetro da 0.39" fuso a gran fuoco e temperato, disponibile trasparente o retroverniciato con tinte metallizzate. Piano disponibile anche in marmo spessore 0.79". Base in metallo finitura Titanio opaco oppure Nichel Nero lucido.

Coffee table with top in 0.39" fused and tempered glass, available in transparent or back-painted finish, with metallic paints. Top in also available in marble, 0.79" thick. Metal base available in opaque Titanium or in Black Glossy Nickel finishes.



dimensioni L, P, H
dimensions L, W, H

COD./CODE

Ø

P/W

H

peso netto
net weight
(kg)

peso lordo
gross weight
(kg)

volume imballo
package volume
(m³)

Tavolino con piano in vetro fuso trasparente.
Coffee table with fused transparent glass top.

CRS50...	19.69"	-	19.69"	10	25	0,26
CRS80...	31.50"	-	15.75"	18	28	0,22
CRS110...	43.31"	-	11.81"	28,5	47	0,35

Tavolino con piano in vetro fuso retroverniciato con tinte metallizzate Cat.2.
Coffee table with fused glass top, back-painted with metallic paints Cat.2.

CRS50...	19.69"	-	19.69"	10	25	0,26
CRS80...	31.50"	-	15.75"	18	28	0,22
CRS110...	43.31"	-	11.81"	28,5	47	0,35

Tavolino con piano in marmo Cat.M1.
Coffee table with marble top, Cat.M1

CRS50...	19.69"	-	20.28"	15	21	0,11
CRS80...	31.50"	-	16.34"	30	42	0,225
CRS110...	43.31"	-	12.40"	56	70	0,265

Tavolino con piano in marmo Cat.M2.
Coffee table with marble top, Cat.M2.

CRS50...	19.69"	-	20.28"	15	21	0,11
CRS80...	31.50"	-	16.34"	30	42	0,225
CRS110...	43.31"	-	12.40"	56	70	0,265

PIANO IN VETRO FUSO TRASPARENTE <i>FUSED TRANSPARENT GLASS TOP</i>	BASE IN METALLO METAL BASE	CODICE FINITURA <i>FINISH CODE</i>
	FINITURA BASE BASE FINISH	
	Nichel Nero Lucido <i>Black Glossy Nichel</i>	NI/VF-TR
	Titanio Opaco <i>Opaque titanium</i>	TI/VF-TR

PIANO IN VETRO FUSO RETROVERNICIATO <i>BACK-PAINTED FUSED GLASS TOP</i>		BASE IN METALLO METAL BASE	CODICE FINITURA <i>FINISH CODE</i>
CAT. COLORE <i>COLOR CAT.</i>	COLORI COLORS	FINITURA BASE BASE FINISH	
C AT. 2 Tinta metallizzata <i>Metallic color</i>	Nero Brillante Brilliant Black	Nichel Nero Lucido <i>Black Glossy Nichel</i>	NI/VF-NB
	Marrone Brillante Brilliant Brown	Titanio Opaco <i>Opaque titanium</i>	TI/VF-MB

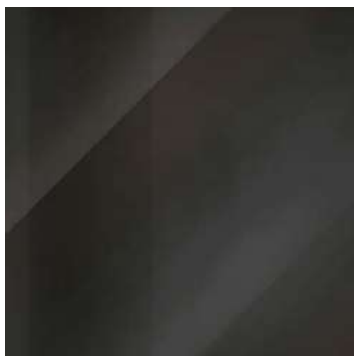
Cristaline è disponibile anche nelle altre finiture di Cat.2 per vetro fuso. Fare riferimento alla tabella nella bandella di copertina.

Cristaline is also available in the other finishes of fused glass Cat.2. Please refer to the chart in the fold flap cover.

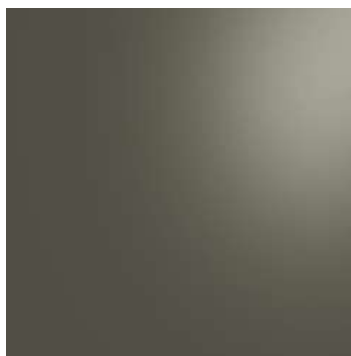
PIANO IN MARMO <i>MARBLE TOP</i>		BASE IN METALLO METAL BASE	CODICE FINITURA <i>FINISH CODE</i>
CAT. MARMO <i>MARBLE CAT.</i>	NOME NAME	FINITURA BASE BASE FINISH	
CAT.M1	Mystic Brown Mystic Brown	Titanio Opaco Opaque titanium	TI/M1-MB
	Grigio Carnico Carnico Grey	Nichel Nero Lucido <i>Black Glossy Nichel</i>	NI/M1-GC
CAT.M2	Calacatta Royal Calacatta Royal	Titanio Opaco Opaque titanium	TI/M2-CR
	Manhattan <i>Manhattan</i>	Nichel Nero Lucido <i>Black Glossy Nichel</i>	NI/M2-MN

FINITURE
FINISHES

Base in metallo
Metal base



Nichel Nero Lucido
Black Glossy Nickel



Titanio Opaco
Opaque Titanium

Piano in vetro fuso
Fused glass top



vetro trasparente
transparent glass



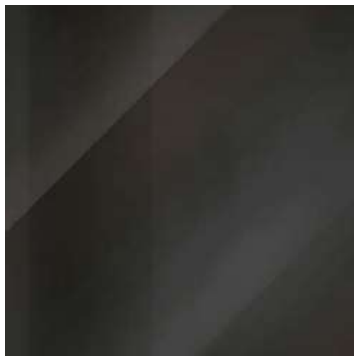
vetro retroverniciato
Nero Brillante
back-painted glass,
Brilliant Black finish



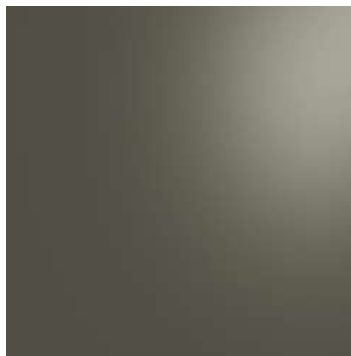
vetro retroverniciato
Marrone Brillante
back-painted glass,
Brilliant Brown finish

FINITURE
FINISHES

Base in metallo
Metal base



Nichel Nero Lucido
Black Glossy Nickel



Titanio Opaco
Opaque Titanium

Piano in vetro fuso
Fused glass top



Grigio Carnico
Carnico grey



Mystic
Brown
Mystic
Brown



Calacatta Roya
Calacatta Roya



Manhattan
Manhattan