



FIAM



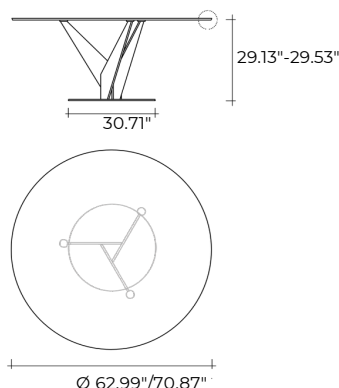
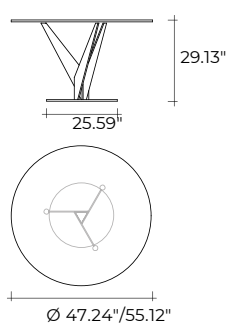
epsilon

DESIGN
FABIO DI BARTOLOMEI

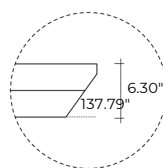
Tavolo tondo con piano in vetro da 0.39" o 0.59" temperato, oppure da 0.63" stratificato. Base in metallo nuvolato oppure ottone brunito. Piastre di fissaggio in acciaio inox o in ottone. Il tavolo Epsilon è disponibile anche con piani su misura, diametro da 35.43" a 70.87".

Round table with 0.39" thick tempered glass top, or with 0.63" layered glass top. Cloudy metal or burnished brass finish metal base; stainless steel or brass fixing plates. Epsilon table is also available with customized top, diameter from 35.43" to 70.87".

portata sul piano: 150 kg
load capacity on the top: 150 kg



PARTICOLARE BISELLATURA BEVEL DETAIL



dimensioni Ø, P, H dimensions Ø, W, H	COD./CODE	Ø	P	H	peso netto net weight (kg)	peso lordo gross weight (kg)	volume imballo package volume (m ³)
Base in metallo nuvolato, top in vetro trasparente da 0.39" temperato. <i>Cloudy metal finish base, 0.39" tempered transparent glass top.</i>	EPST120/NU-TR	47.24"	-	29.13"	74	100	0,78
	EPST140/NU-TR	55.12"	-	29.13"	84	112	0,85
Base in metallo nuvolato, top in vetro fumè da 0.39" temperato. <i>Cloudy metal finish base, 0.39" tempered smoked glass top.</i>	EPST120/NU-FU	47.24"	-	29.13"	74	100	0,78
	EPST140/NU-FU	55.12"	-	29.13"	84	112	0,85
Base in metallo nuvolato, top in vetro extralight da 0.39" temperato. <i>Cloudy metal finish base, 0.39" tempered extralight glass top.</i>	EPST120/NU-EX	47.24"	-	29.13"	74	100	0,78
	EPST140/NU-EX	55.12"	-	29.13"	84	112	0,85
Base in metallo nuvolato, top in vetro trasparente da 0.59" temperato. <i>Cloudy metal finish base, 0.59" tempered transparent glass top.</i>	EPST160/NU-TR	62.99"	-	29.13"	168	224	1,23
	EPST180/NU-TR	70.87"	-	29.53"	178	274	1,45
Base in metallo nuvolato, top in vetro extralight da 0.59" temperato. <i>Cloudy metal finish base, 0.59" tempered extralight glass top.</i>	EPST160/NU-EX	62.99"	-	29.53"	168	224	1,23
	EPST180/NU-EX	70.87"	-	29.53"	178	274	1,45
Base in metallo nuvolato, top in vetro fumè da 0.63" stratificato e bisellato. <i>Cloudy metal finish base, 0.63" layered smoked glass top, bevelled.</i>	EPST160/NU-FU	62.99"	-	29.53"	173	249	1,23
	EPST180/NU-FU	70.87"	-	29.53"	196	282	1,45
Base in ottone brunito, top in vetro trasparente da 0.39" temperato. <i>Burnished brass finish base, 0.39" tempered transparent glass top.</i>	EPST120/OB-TR	47.24"	-	29.53"	74	100	0,78
	EPST140/OB-TR	55.12"	-	29.13"	84	112	0,85



dimensioni L, P, H <i>dimensions L, W, H</i>	COD./CODE	L	P/W	H	peso netto <i>net weight</i> (kg)	peso lordo <i>gross weight</i> (kg)	volume imballo <i>package volume</i> (m3)
Base in ottone brunito, top in vetro bronzo da 0.39" temperato. <i>Burnished brass finish base, 0.39" tempered bronze glass top.</i>	EPST120/ OB-BR	47.24"	-	29.13"	74	100	0,78
	EPST140/ OB-BR	55.12"	-	29.13"	84	112	0,85
Base in ottone brunito, top in vetro extralight da 0.39" temperato. <i>Burnished brass finish base, 0.39" tempered extralight glass top.</i>	EPST120/ OB-EX	47.24"	-	29.13"	74	100	0,78
	EPST140/ OB-EX	55.12"	-	29.13"	84	112	0,85
Base in ottone brunito, top in vetro trasparente da 0.59" temperato. <i>Burnished brass finish base, 0.59" tempered transparent glass top.</i>	EPST160/ OB-TR	62.99"	-	29.53"	168	244	1,23
	EPST180/ OB-TR	70.87"	-	29.53"	178	274	1,45
Base in ottone brunito, top in vetro extralight da 0.59" temperato. <i>Burnished brass finish base, 0.59" tempered extralight glass top.</i>	EPST160/ OB-EX	62.99"	-	29.53"	168	244	1,23
	EPST180/ OB-EX	70.87"	-	29.53"	178	274	1,45
Base in ottone brunito, top in vetro bronzo da 0.63" stratificato e bisellato. <i>Burnished brass finish base, 0.63" layered bronze glass top, bevelled.</i>	EPST160/ OB-BR	62.99"	-	29.53"	173	249	1,23
	EPST180/ OB-BR	70.87"	-	29.53"	196	282	1,45

Il piano è realizzabile a richiesta con misure speciali comprese fra un diametro min di 35.43" e un diametro max 70.87".
The top can be provided custom made, sizes between a min diameter of 35.43" and a max diameter of 70.87".



FIAM

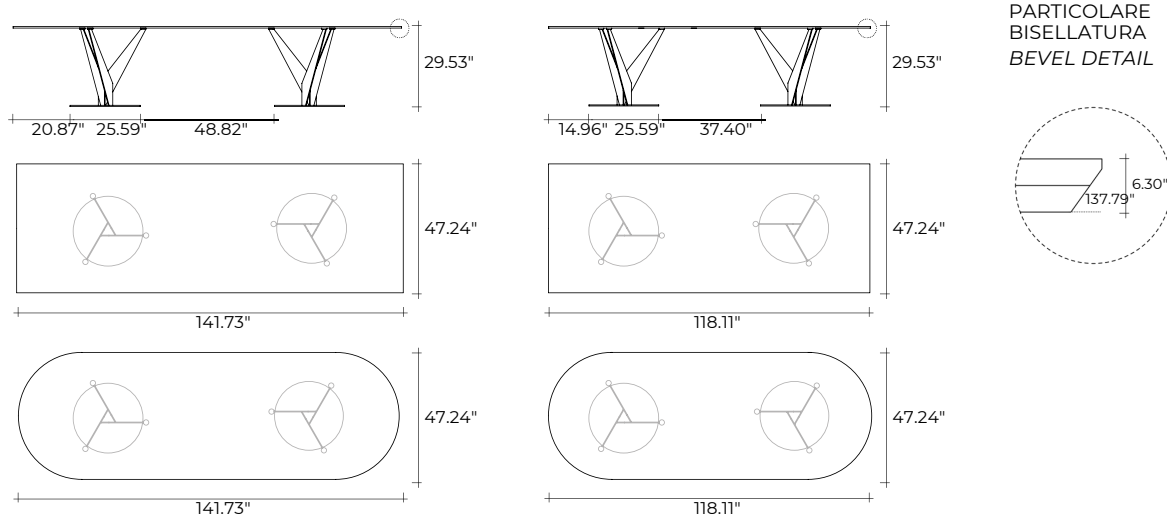
epsylon

DESIGN
FABIO DI BARTOLOMEI

Tavolo con piano in vetro da 0.59" temperato, oppure da 0.63" stratificato. Doppia base in metallo nuvolato oppure ottone brunito. Piastre di fissaggio in acciaio inox o in ottone. Il tavolo Epsilon è disponibile anche con piani su misura.

Table with 0.59" thick tempered glass top, or with 0.63" layered glass top. Two metal bases in Cloudy metal or burnished brass finish; stainless steel or brass fixing plates. Epsilon table is also available with customized top.

portata sul piano: 200 kg
load capacity on the top: 200 kg



dimensioni L, P, H dimensions L, W, H	COD./CODE	L	P	H	peso netto net weight (kg)	peso lordo gross weight (kg)	volume imballo package volume (m ³)
Tavolo rettangolare con basi in metallo nuvolato, top in vetro trasparente da 0.59" temperato. Rectangular table with cloudy metal finish bases, 0.59" tempered transparent glass top.	EPSR300/NU-TR	118.11"	47.24"	29.53"	236	305	1,57
	EPSR360/NU-TR	141.73"	47.24"	29.53"	265	348	1,52
Tavolo ovale con basi in metallo nuvolato, top in vetro da trasparente 0.59" temperato. Oval table with cloudy metal finish bases, 0.59" tempered transparent glass top.	EPSO300/NU-TR	118.11"	47.24"	29.53"	224	293	1,57
	EPSO360/NU-TR	141.73"	47.24"	29.53"	254	324	1,52
Tavolo rettangolare con basi in metallo nuvolato, top in vetro extralight da 0.59" temperato. Rectangular table with cloudy metal finish bases, 0.59" tempered extralight glass top.	EPSR300/NU-EX	118.11"	47.24"	29.53"	236	305	1,57
	EPSR360/NU-EX	141.73"	47.24"	29.53"	265	348	1,52
Tavolo ovale con basi in metallo nuvolato, top in vetro da extralight 0.59" temperato. Oval table with cloudy metal finish bases, 0.59" tempered extralight glass top.	EPSO300/NU-EX	118.11"	47.24"	29.53"	224	293	1,57
	EPSO360/NU-EX	141.73"	47.24"	29.53"	254	324	1,52
Tavolo rettangolare con basi in metallo nuvolato, top in vetro fumè da 0.63" stratificato e bisellato. Rectangular table with cloudy metal finish bases, 0.63" layered smoked glass top, bevelled.	EPSR300/NU-FU	118.11"	47.24"	29.53"	236	305	1,57
	EPSR360/NU-FU	141.73"	47.24"	29.53"	265	348	1,52



dimensioni L, P, H <i>dimensions L, W, H</i>	COD./CODE	L	P/W	H	peso netto <i>net weight</i> (kg)	peso lordo <i>gross weight</i> (kg)	volume imballo <i>package volume</i> (m ³)
Tavolo ovale con basi in metallo nuvolato, top in vetro fumè da 0.63" stratificato e bisellato. <i>Oval table with cloudy metal finish bases, 0.63" layered smoked glass top, bevelled.</i>	EPSO300/ NU-FU	118.11"	47.24"	29.53"	224	293	1,57
	EPSO360/ NU-FU	141.73"	47.24"	29.53"	254	324	1,52
Tavolo rettangolare con basi in ottone brunito, top in vetro trasparente da 0.59" temperato. Rectangular table with burnished brass finish bases, 0.59" tempered transparent glass top	EPSR300/ OB-TR	118.11"	47.24"	29.53"	236	305	1,57
	EPSR360/ OB-TR	141.73"	47.24"	29.53"	265	348	1,52
Tavolo ovale con basi in ottone brunito, top in vetro trasparente da 0.59" temperato. Oval table with burnished brass finish bases, 0.59" tempered transparent glass top.	EPSO300/ OB-TR	118.11"	47.24"	29.53"	224	293	1,57
	EPSO360/ OB-TR	141.73"	47.24"	29.53"	254	324	1,52
Tavolo rettangolare con basi in ottone brunito, top in vetro extralight da 0.59" temperato. Rectangular table with burnished brass finish bases, 0.59" tempered extralight glass top.	EPSR300/ OB-EX	118.11"	47.24"	29.53"	236	305	1,57
	EPSR360/ OB-EX	141.73"	47.24"	29.53"	265	348	1,52
Tavolo ovale con basi in ottone brunito, top in vetro extralight da 0.59" temperato e bisellato. <i>Oval table with burnished brass finish bases, 0.59" tempered extralight glass top, bevelled.</i>	EPSO300/ OB-EX	118.11"	47.24"	29.53"	224	293	1,57
	EPSO360/ OB-EX	141.73"	47.24"	29.53"	254	324	1,52
Tavolo rettangolare con basi in ottone brunito, top in vetro bronzo da 0.63" stratificato e bisellato. Rectangular table with burnished brass finish bases, 0.63" layered bronze glass top, bevelled.	EPSR300/ OB-BR	118.11"	47.24"	29.53"	236	305	1,57
	EPSR360/ OB-BR	141.73"	47.24"	29.53"	265	348	1,52
Tavolo ovale con basi in ottone brunito, top in vetro bronzo da 0.63" stratificato, bisellato. Oval table with burnished brass finish bases, 0.63" layered bronze glass top, bevelled	EPSO300/ OB-BR	118.11"	47.24"	29.53"	224	293	1,57
	EPSO360/ OB-BR	141.73"	47.24"	29.53"	254	324	1,52



FINITURE
FINISHES

Base in metallo
Metal base



ottone brunito
burnished brass



metallo nuvolato
cloudy metal

Piano in vetro
Glass top



vetro trasparente
transparent glass



vetro extralight
extralight glass



vetro bronzo
bronze glass



vetro fumé
Smoked glass