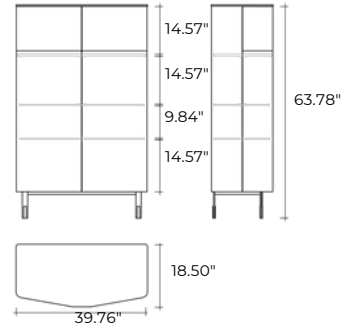




# lady plié

DESIGN  
STUDIO KLASS  
modello registrato  
registered model

portata su ogni piano: 25 kg  
portata sul top: 30 kg  
load capacity on each shelf: 25 kg  
load capacity on the top: 30 kg



Madia con struttura in legno laccato Grigio Lava, top in vetro fumé da 0.39", ante in vetro extralight curvato da 0.24" parzialmente retroverniciate, 2 ripiani interni in vetro extralight da 0.32" temperato. Ante con meccanismo di apertura push-pull. Sistema di illuminazione a LED integrato nei fianchi della struttura.

Cupboard with Lava Grey lacquered wood structure, top in 0.39" smoked glass. Doors in 0.24" curved extralight glass, partially back-painted. 2 internal shelves in 0.32" tempered extralight glass. Doors with push-pull closing mechanism. LED lighting system integrated into the internal sides of the structure.

dimensioni L, P, H dimensions L, W, H	COD./CODE	L	P/W	H	peso netto net weight (kg)	peso lordo gross weight (kg)	volume imballo package volume (m <sup>3</sup> )
Ante parzialmente retroverniciate, finitura "Marrone-Grey". Doors partially back-painted, "Brown-Grey" finish.	0 LPM101/ V X-MG	39.76"	18.50"	63.78"	97	158	1,56
Ante parzialmente retroverniciate, finitura "Grigio Tempesta". Doors partially back-painted, "Storm Grey" finish.	0 LPM101/ V X-TE	39.76"	18.50"	63.78"	97	158	1,56

° Prodotto marcato CE, disponibile solo per mercato europeo.  
° CE certification, only for European countries available.



---

FINITURE  
*FINISHES*

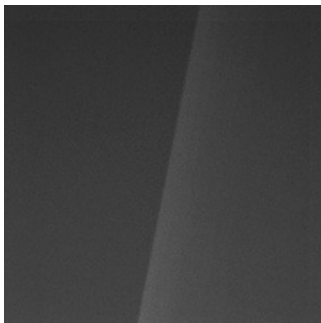
---

Struttura in legno laccato  
Laquered wood structure

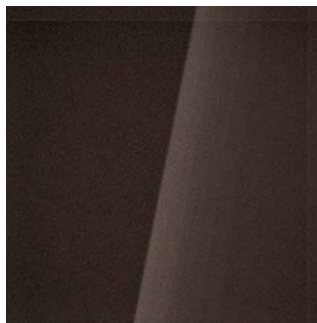


grigio lava  
lava grey

Ante in vetro extralight retroverniciato  
Back-painted extralight glass doors



grigio tempesta  
storm grey



marrone-grey  
brown-grey