



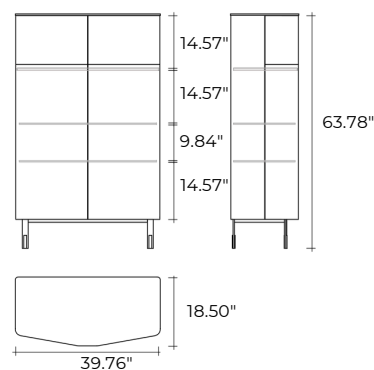
FIAM



# lady plié

DESIGN  
STUDIO KLASS  
modello registrato  
registered model

portata su ogni piano: 25 kg  
portata sul top: 30 kg  
load capacity on each shelf: 25 kg  
load capacity on the top: 30 kg



Madia con struttura in legno laccato Grigio Lava, top in vetro fumè da 0.39", ante in vetro extralight curvato da 0.24" parzialmente retroverniciate, 2 ripiani interni in vetro extralight da 0.32" temperato. Ante con meccanismo di apertura push-pull. Sistema di illuminazione a LED integrato nei fianchi della struttura.

*Cupboard with Lava Grey lacquered wood structure, top in 0.39" smoked glass. Doors in 0.24" curved extralight glass, partially back-painted. 2 internal shelves in 0.32" tempered extralight glass. Doors with push-pull closing mechanism. LED lighting system integrated into the internal sides of the structure.*

dimensioni L, P, H  
dimensions L, W, H

COD./CODE L P/W H

peso netto peso lordo volume imballo  
net weight gross weight package volume  
(kg) (kg) (m<sup>3</sup>)

Ante parzialmente retroverniciate, finitura "Marrone-Grey".  
Doors partially back-painted, "Brown-Grey" finish.

0 LPM101/  
V X-MG 39.76" 18.50" 63.78"

97 158 1,56

Ante parzialmente retroverniciate, finitura "Grigio Tempesta".  
Doors partially back-painted, "Storm Grey" finish.

0 LPM101/  
V X-TE 39.76" 18.50" 63.78"

97 158 1,56

° Prodotto marcato CE, disponibile solo per mercato europeo.  
° CE certification, only for European countries available.



---

FINITURE  
*FINISHES*

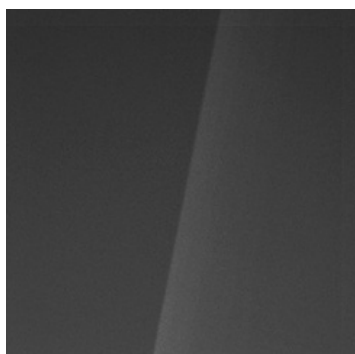
---

Struttura in legno laccato  
Laquered wood structure

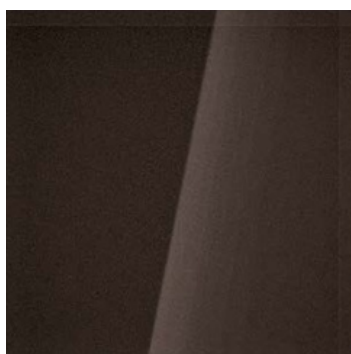


grigio lava  
lava grey

Ante in vetro extralight retroverniciato  
Back-painted extralight glass doors



grigio tempesta  
storm grey



marrone-grey  
brown-grey