



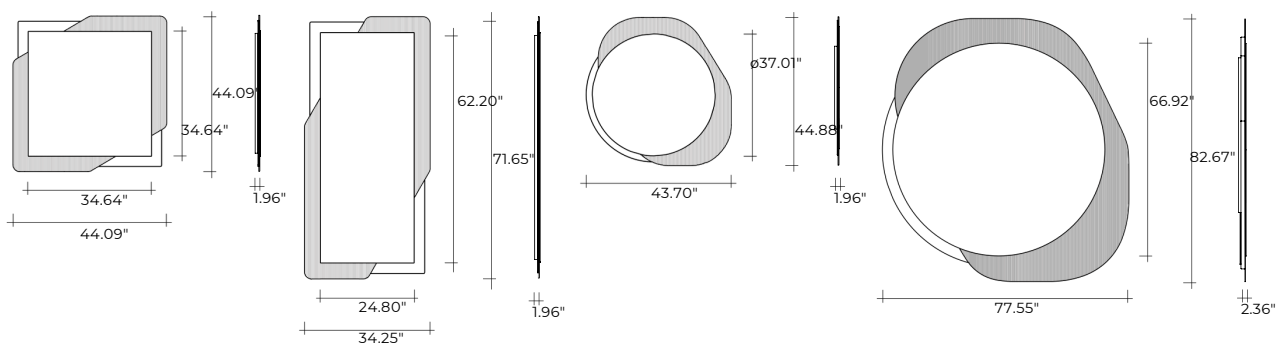
shift

DESIGN FRANCESCA
LANZAVECCHIA

modello registrato
registered model

Specchio da parete con cornice composta da due elementi in vetro: parte in vetro standard o bronzo da 0.24" fuso a gran fuoco retroargentato; parte in vetro piano fumè o bronzo da 0.24". Specchio piano da 0.20". Possibilità di appendimento verticale od orizzontale. (Escluso Art. SHFT/210)

Hanging mirror with frame composed of two glass elements: a part in 0.24" thick high-temperature fused and back-silvered in standard or bronze finish; a part in 0.24" thick flat glass in smoked or bronze finish. 0.20" thick flat mirror. It can be hung horizontally or vertically. (Art. SHFT/210 excluded)



dimensioni L, P, H
dimensions L, W, H

	COD./CODE	Ø/L	P/W	H	peso netto net weight (kg)	peso lordo gross weight (kg)	volume imballo package volume (m3)
Parte cornice in vetro standard fuso e retroargentato; parte cornice in vetro piano fumè. <i>Part of the frame made of fused and back-silvered standard glass; part of the frame made of smoked flat glass.</i>	SHFQ112/ VF-AG	44.09"	1.96"	44.09"	42	77	0,43
	SHFR182/ VF-AG	34.25"	1.96"	71.65"	52	92	0,53
	SHF T114/ VF-AG	43.70"	1.96"	44.88"	37	72	0,43
	SHF T210/ VF-AG °	77.55"	2.36"	82.67"	115	229	1,66
Parte cornice in vetro bronzo fuso e retroargentato; parte cornice in vetro piano bronzo. <i>Part of the frame made of fused and back-silvered bronze glass; part of the frame made of bronze flat glass.</i>	SHFQ112/ VFBR-AG	44.09"	1.96"	44.09"	42	77	0,43
	SHFR182/ VFBR-AG	34.25"	1.96"	71.65"	52	92	0,53
	SHF T114/ VFBR-AG	43.70"	1.96"	44.88"	37	72	0,43
	SHF T210/ VFBR-AG °	77.55"	2.36"	82.67"	115	229	1,66

° Modelli forniti con piedini smontabili per versione da terra.

° Items provided with removable feet for free standing version.

FINITURE
FINISHES

Parte cornice in vetro liscio
Flat glass frame part

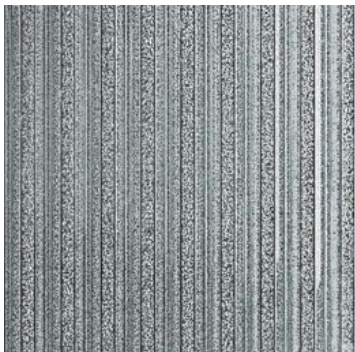


vetro fumé
smoked glass



vetro bronzo
bronze glass

Parte cornice in vetro fuso
Fused glass frame part



vetro fuso
retroargentato
Back-silvered
fused glass



vetro bronzo fuso
e retroargentato
Fused and back-silvered
bronze glass