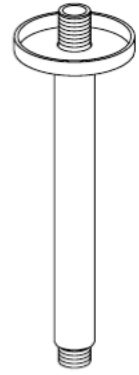


5074412
 12" Ceiling Mount
 Shower Arm

FINISHES

- 5074412PC Polished Chrome
- 5074412BN Brushed Nickel
- 5074412BG Brushed Gold
- 5074412BB Brushed Black



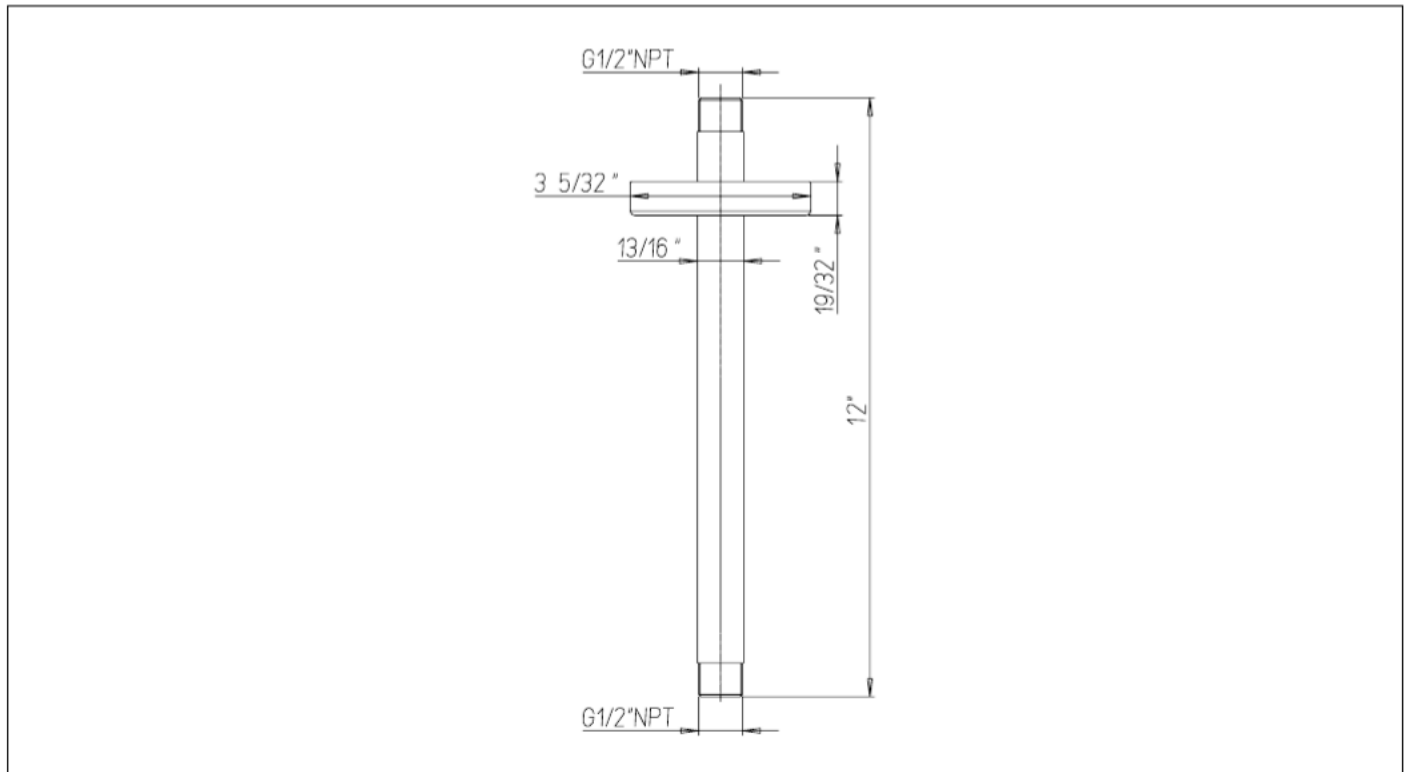
STANDARDS

- Compliant with ASME A112.18.1 - CSA B125.1

FEATURES

- Solid Brass Construction
- 1/2" male NPT connection
- Round Flange to support arm
- Step-By-Step Installation Instructions

DIMENSIONS



Project _____
 Contractor _____