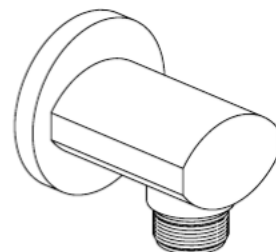


6050300

Round Drop Elbow

FINISHES

- 6050300PC Polished Chrome
- 6050300BN Brushed Nickel
- 6050300BG Brushed Gold
- 6050300BB Brushed Black



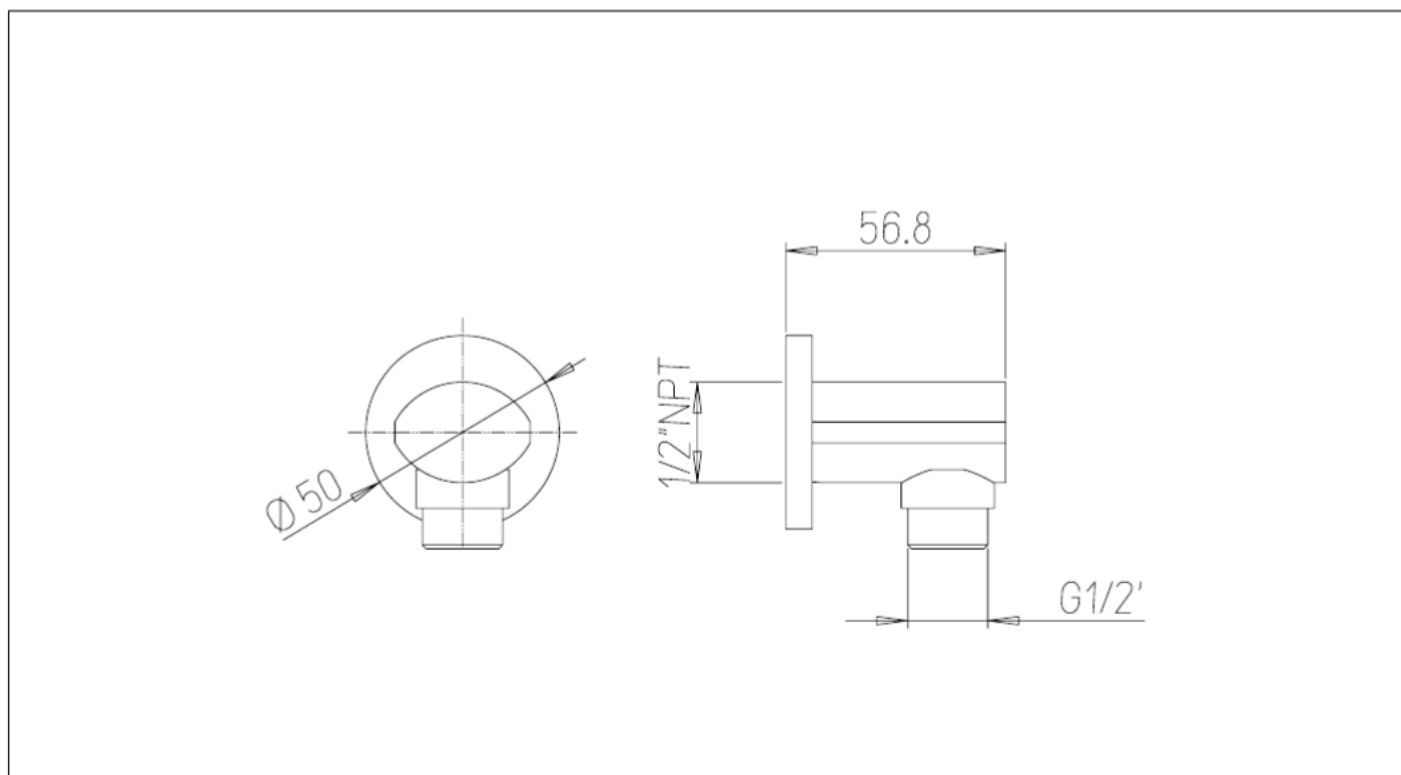
STANDARDS

- Compliant with ASME A112.18.1 - CSA B125.1

FEATURES

- Solid Brass Construction
- 1/2" NPT Connection
- Step-By-Step Installation Instructions

DIMENSIONS



Project _____
Contractor _____