

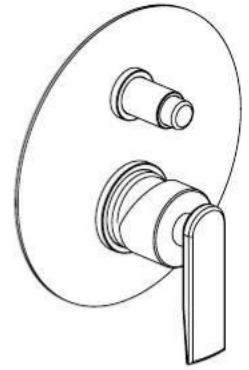
60780LO

Pressure Balance Valve
Trim With Diverter Only

needs rough VALVE 788

FINISHES

- 6078800PC Polished Chrome
- 6078800BG Brushed Gold
- 6078800BB Brushed Black



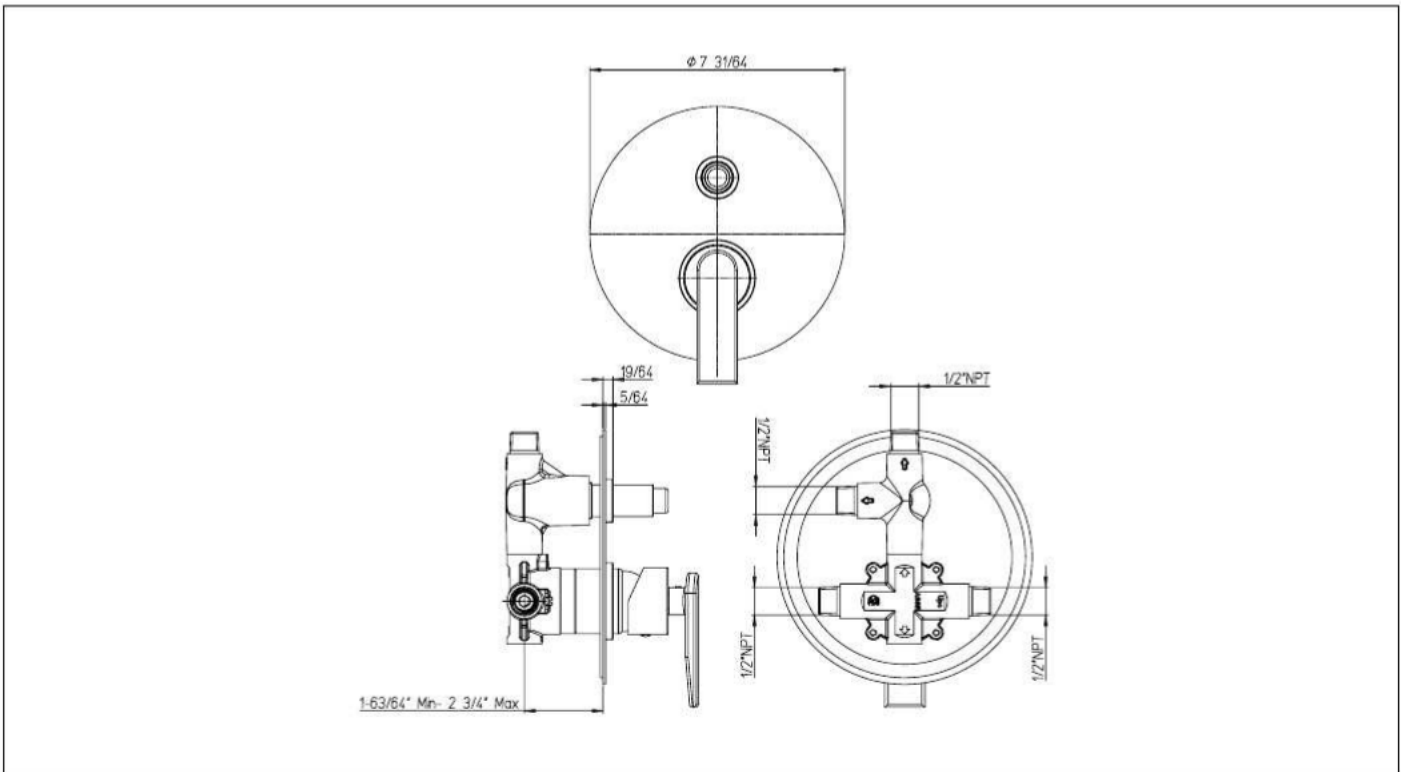
STANDARDS

- Compliant with ASME A112.18.1 - CSA B125.1 when sold with rough valve
- Certified by IAPMO R&T Lab when sold with rough valve
- ADA Compliant

FEATURES

- Solid Brass Construction
- Pressure Balance Trim
- Mecanical diverter
- Built-in volume control
- Includes pressure balance cartridge
- 1/2" Pressure Balance Valve featuring Ceramic Discs
- Step-By-Step Installation Instructions

DIMENSIONS



Project _____
Contractor _____