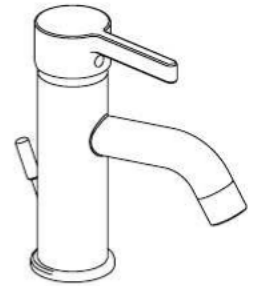


**92211LC**

Single Control Lavatory

**FINISHES**

- 92211LCPC Polished Chrome
- 92211LCBN Brushed Nickel
- 92211LCBG Brushed Gold
- 92211LCBB Brushed Black



**STANDARDS**

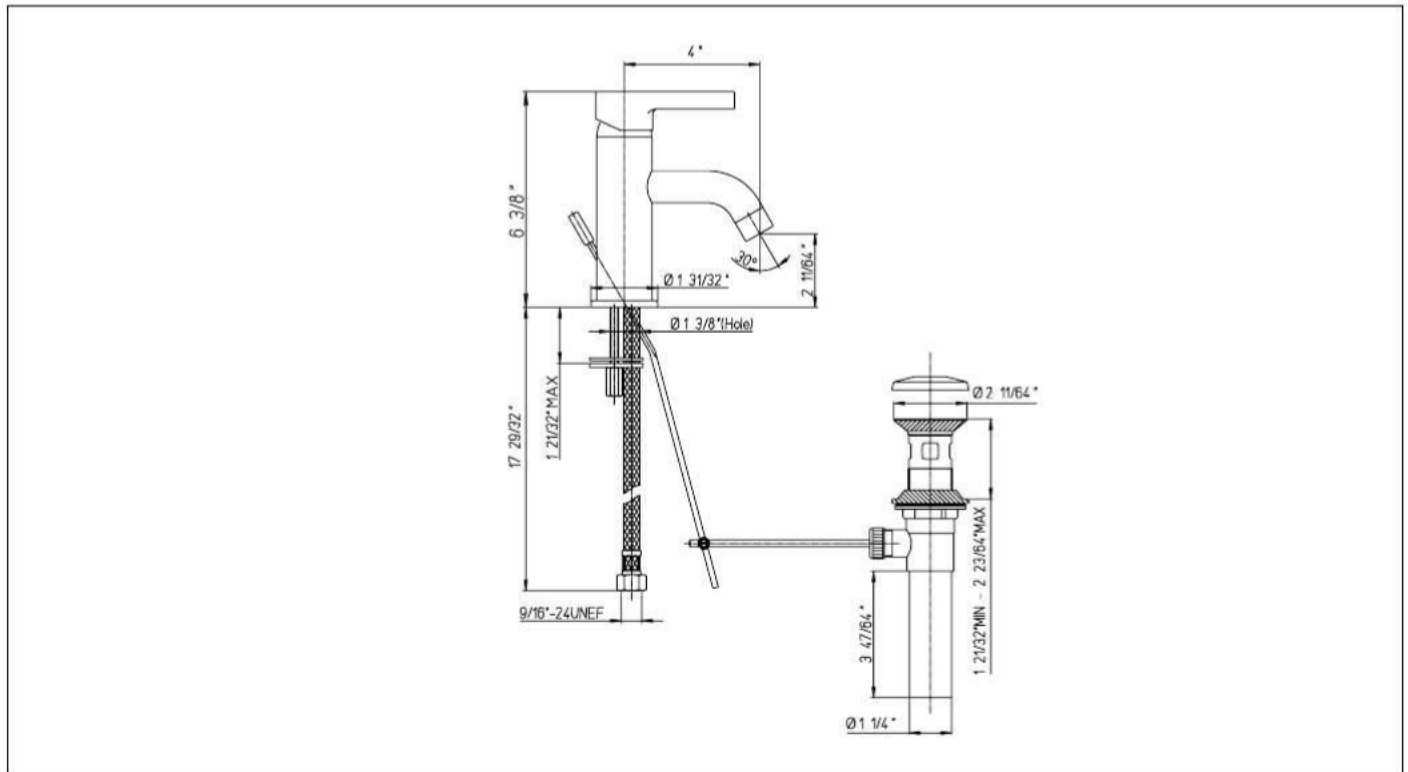


- Compliant with ASME A112.18.1 - CSA B125.1
- Compliant with ANSI/NSF 61
- Compliant with NSF 372 (Low lead)
- Certified by IAPMO R&T Lab
- Meets EPA Water Sense Certification:  
1.2gpm, 4.5L/min
- ADA Compliant

**FEATURES**

- Solid Brass Construction
- Single Control Ceramic Disc Valve
- Metal Pop-up assembly
- 1 hole installation. Optional 3-hole deckplate sold separately
- Step-By-Step Installation Instructions

**DIMENSIONS**



Project \_\_\_\_\_  
 Contractor \_\_\_\_\_