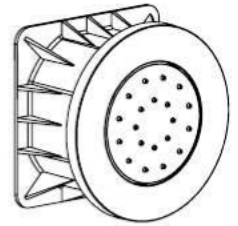


92721RDC

Round Body Spray Tile

FINISHES

- 92721RDCPC Polished Chrome
- 92721RDCBN Brushed Nickel
- 92721RDCBG Brushed Gold
- 92721RDCBB Brushed Black



STANDARDS

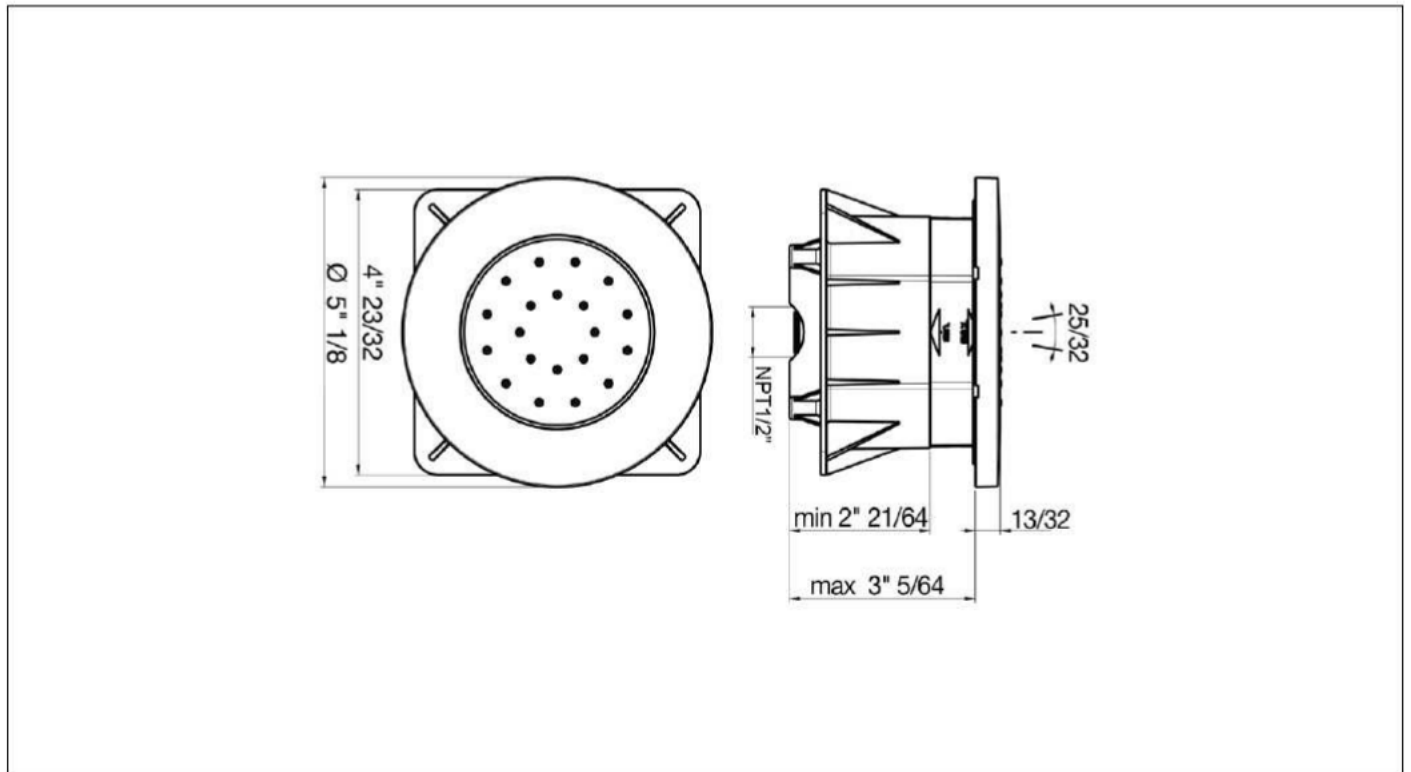


- Compliant with ASME A112.18.1 - CSA B125.1
- Certified by IAPMO R&T Lab
- CEC listed

FEATURES

- Solid Brass Construction
- Directional Body Spray
- 30° Rotation
- ½" Female NPT Connection
- 1.5 GPM @ 60 PSI MAX
- Step-By-Step Installation Instructions

DIMENSIONS



Project _____
 Contractor _____