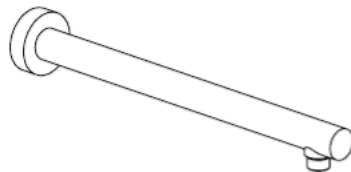


92745S2

Supported Shower Arm
Round 16"

FINISHES

- 92745S2PC Polished Chrome
- 92745S2BN Brushed Nickel
- 92745S2BG Brushed Gold
- 92745S2BB Brushed Black



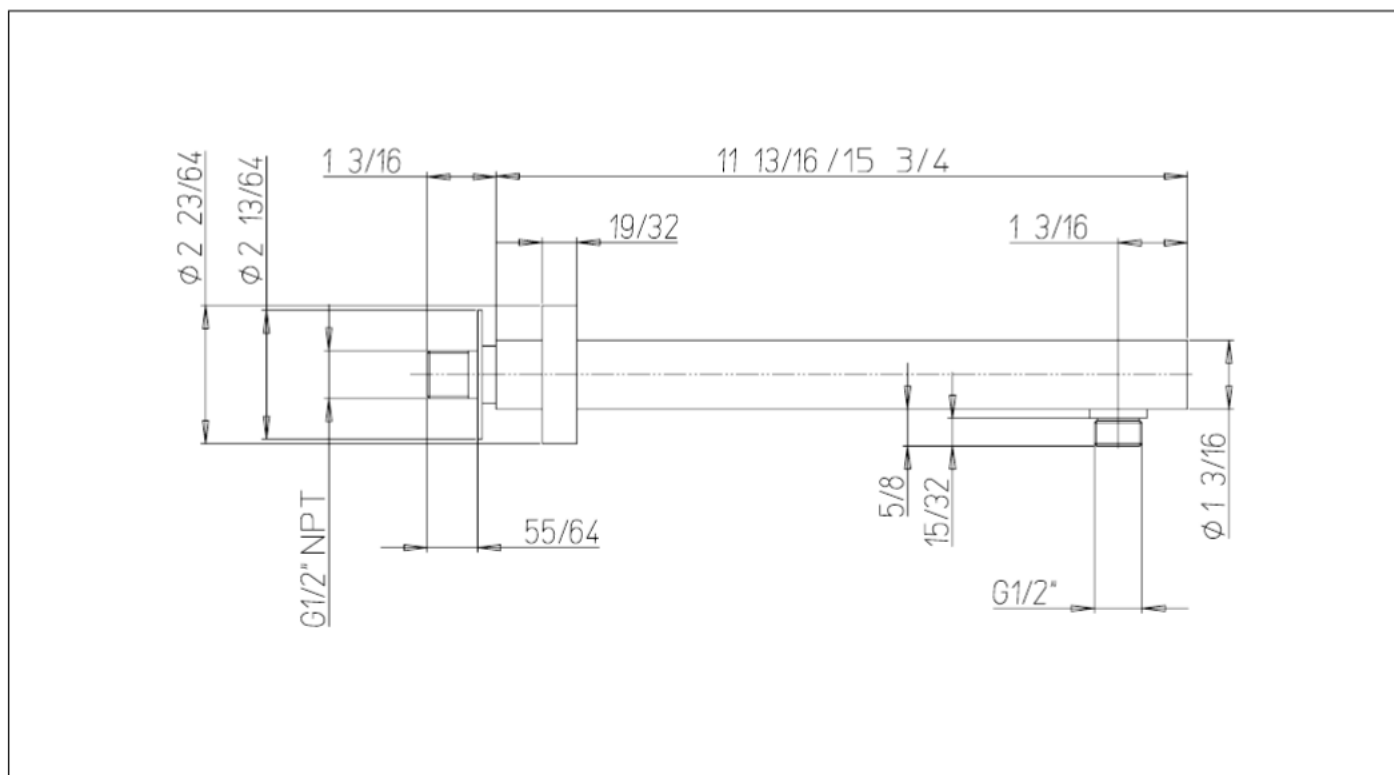
STANDARDS

- Compliant with ASME A112.18.1 - CSA B125.1

FEATURES

- Solid Brass Construction
- 1/2" male NPT connection
- Round Flange to support arm
- Step-By-Step Installation Instructions

DIMENSIONS



Project _____
Contractor _____