

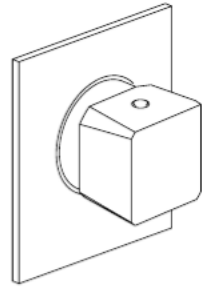
9442500

4-Port, 3 Way Diverter Valve Trim

needs rough VALVE 425

FINISHES

- 9442500PC Polished Chrome
- 9442500BN Brushed Nickel



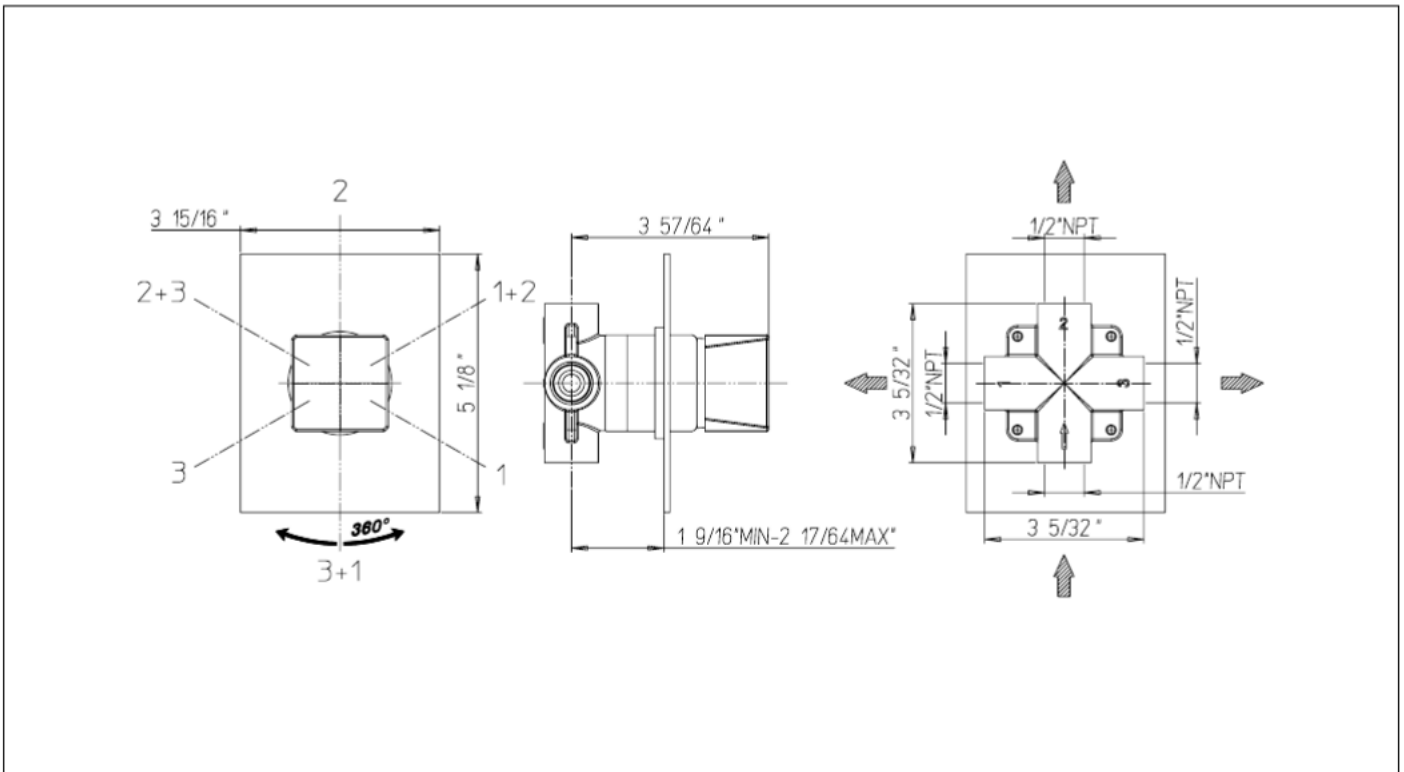
STANDARDS

- Compliant with ASME A112.18.1 - CSA B125.1 when sold with rough valve
- Certified by or IAPMO R&T Lab when sold with rough valve
- ADA Compliant

FEATURES

- Solid Brass Construction
- Complete Trim Kit
- 1/4 ceramic disc valve
- 3 way diverter
- Step-By-Step Installation Instructions

DIMENSIONS



Project _____
 Contractor _____