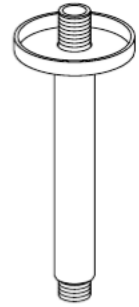


**5074406**  
**6" Ceiling Mount**  
**Shower Arm**

**FINISHES**

- 5074406PC Polished Chrome
- 5074406BN Brushed Nickel
- 5074406BG Brushed Gold
- 5074406BB Brushed Black



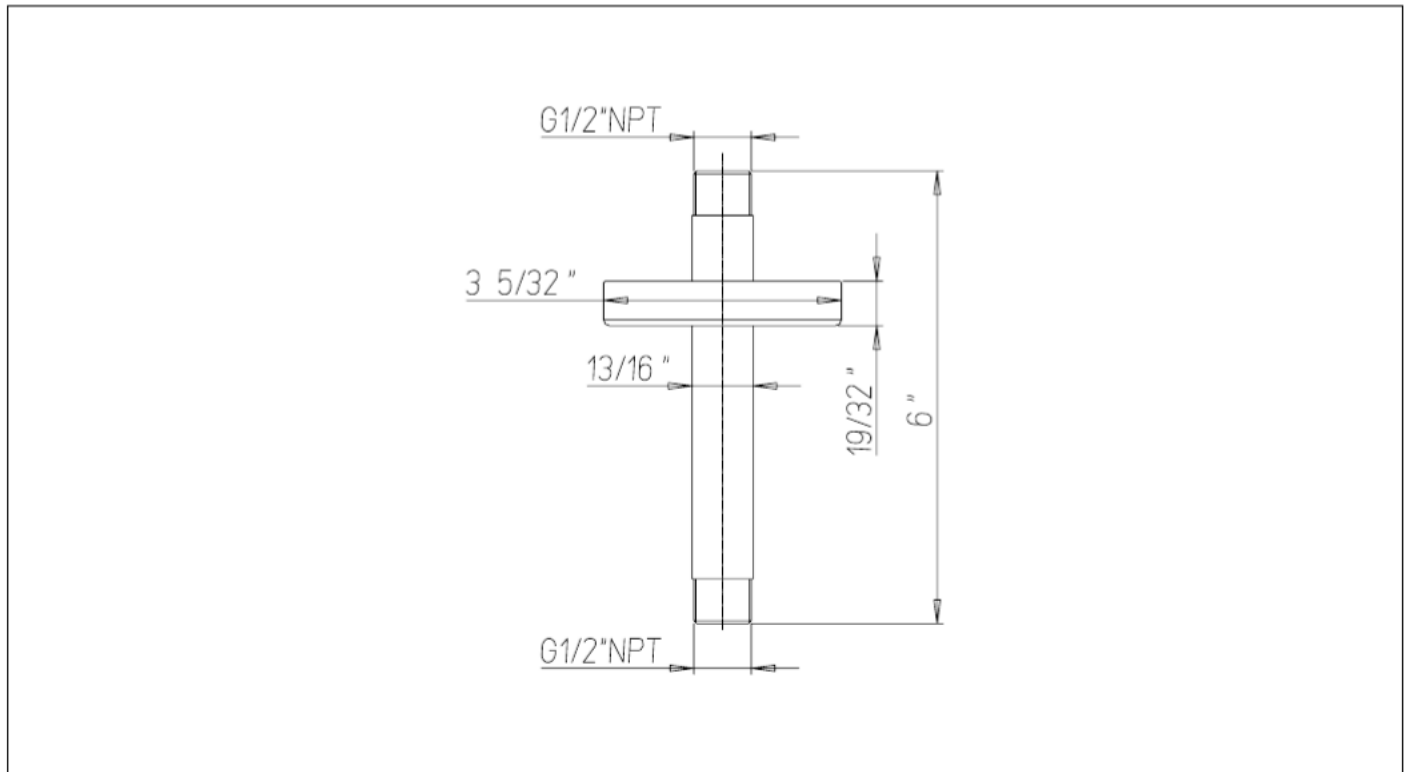
**STANDARDS**

- Compliant with ASME A112.18.1 - CSA B125.1

**FEATURES**

- Solid Brass Construction
- 1/2" male NPT connection
- Round Flange to support arm
- Step-By-Step Installation Instructions

**DIMENSIONS**



Project \_\_\_\_\_  
 Contractor \_\_\_\_\_