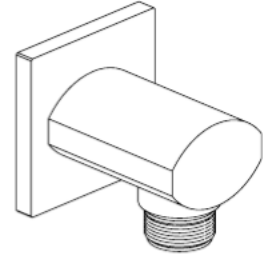


**8450300**

Round Drop Elbow

**FINISHES**

- 8450300PC Polished Chrome
- 8450300BN Brushed Nickel
- 8450300BB Brushed Black



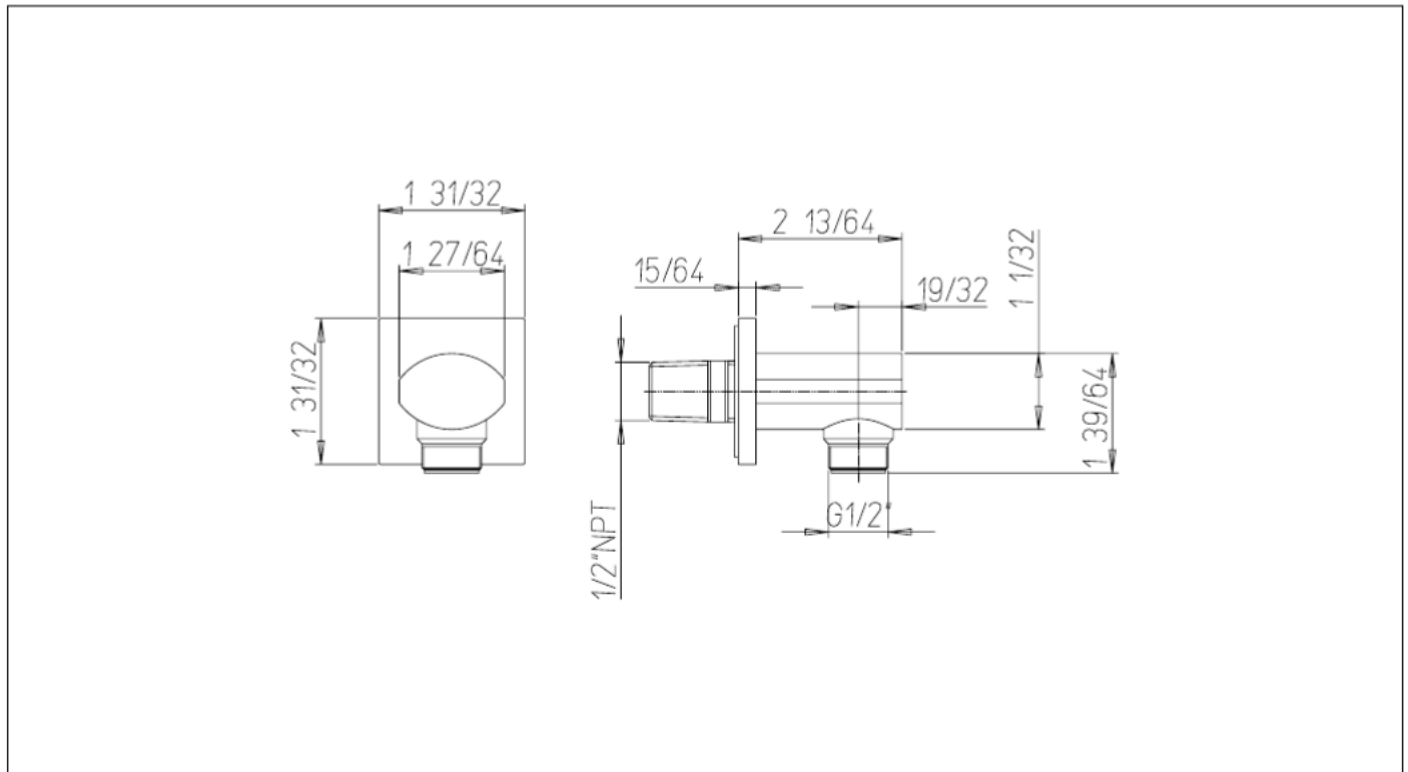
**STANDARDS**

- Compliant with ASME A112.18.1 - CSA B125.1

**FEATURES**

- Solid Brass Construction
- 1/2" NPT Connection
- Step-By-Step Installation Instructions

**DIMENSIONS**



Project \_\_\_\_\_  
 Contractor \_\_\_\_\_