

9443000

Tub Spout non-diverter tub spout

FINISHES

- 9443000PC Polished Chrome
- 9443000BN Brushed Nickel
- 9443000BB Brushed Black

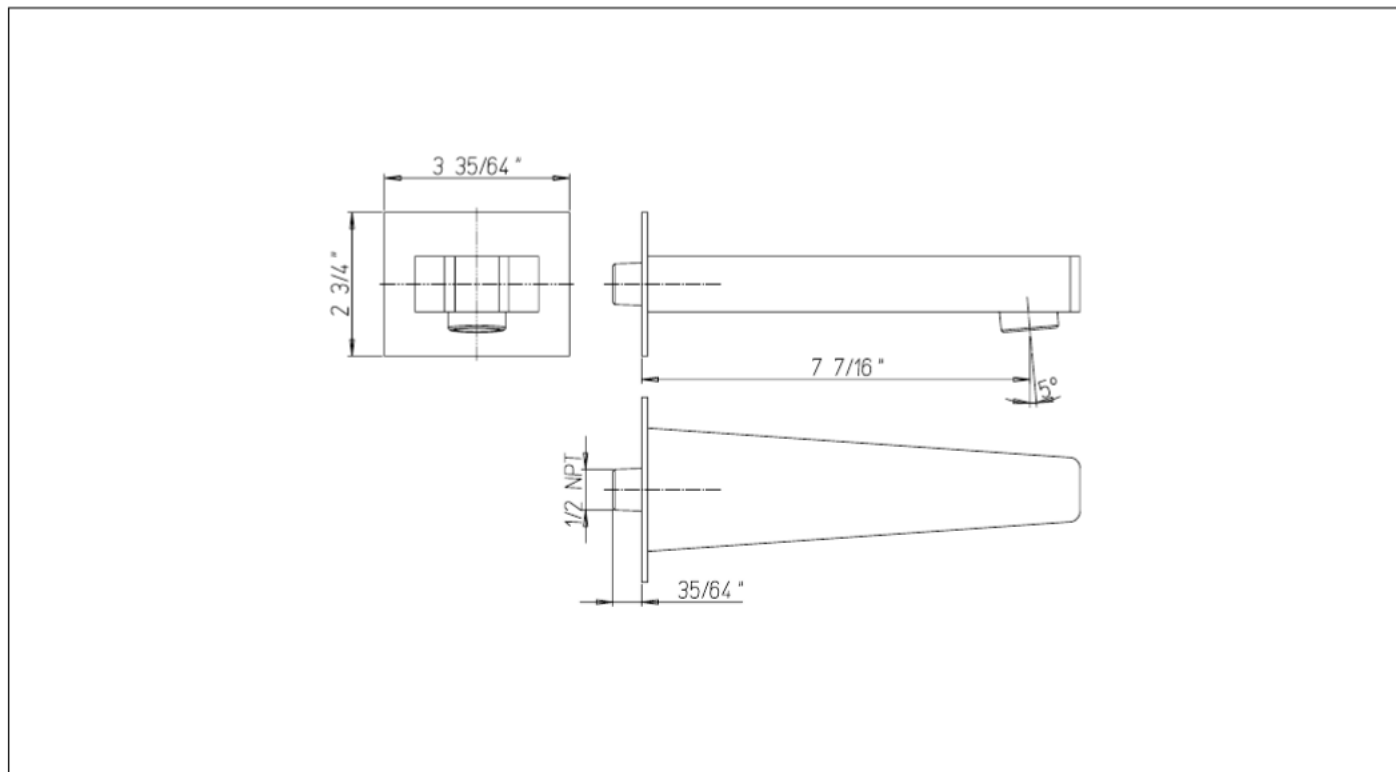
STANDARDS

- Compliant with ASME A112.18.1 - CSA B125.1
- Certified by IAPMO R&T Lab

FEATURES

- Solid Brass Construction
- 1/2" NPT inlet connector
- Non-Diverting, Polished Tub Spout
- Step by Step Installation Instructions

DIMENSIONS



Project _____
 Contractor _____