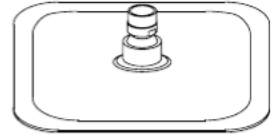


94759S1C
 10" Showerhead
 only Square

FINISHES

- 94759S1CPC Polished Chrome
- 94759S1CBN Brushed Nickel
- 94759S1CBG Brushed Gold
- 94759S1CBB Brushed Black



STANDARDS

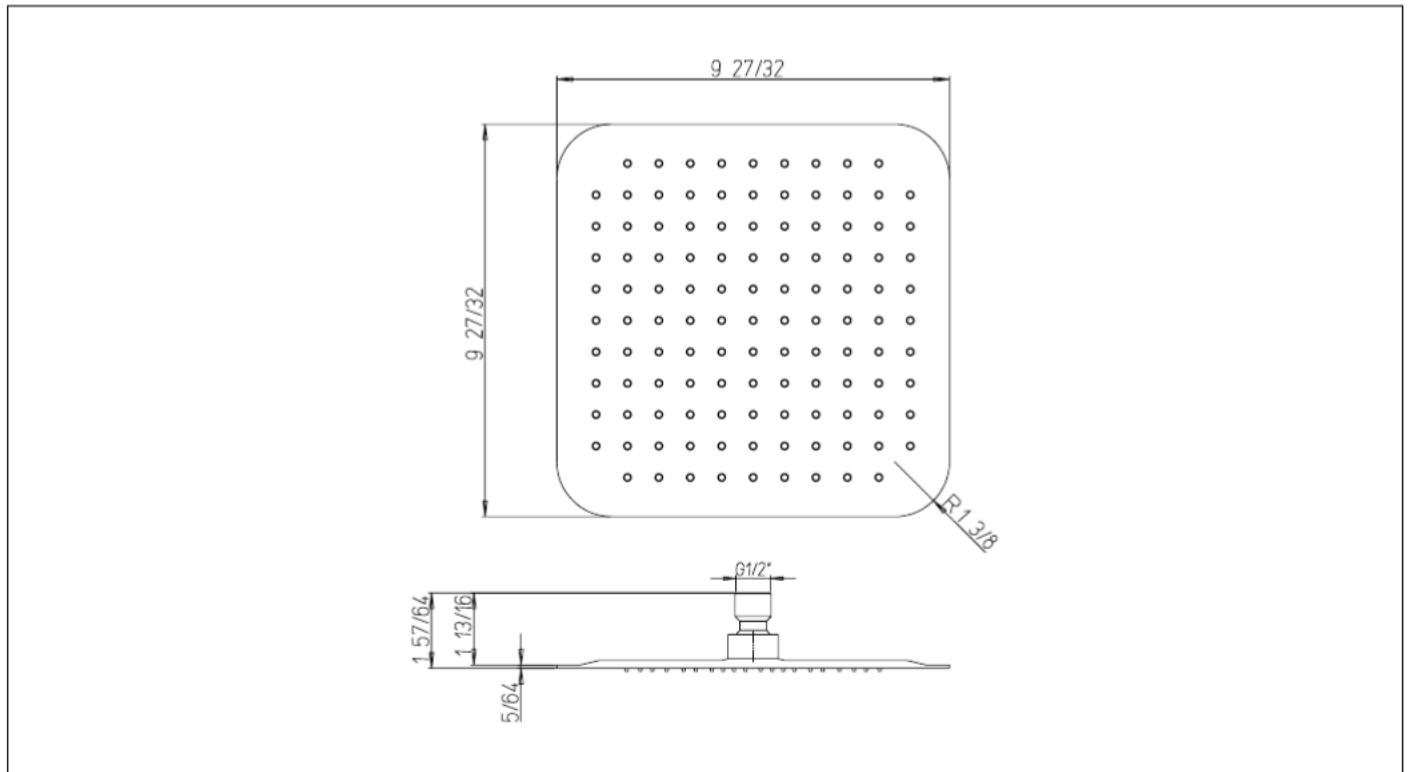


- Compliant with ASME A112.18.1 - CSA B125.1
- CEC listed

FEATURES

- Solid Brass Construction
- 1/2" NPT Connection
- 1.8 GPM @ 60 PSI MAX
- Step-By-Step Installation Instructions

DIMENSIONS



Project _____
 Contractor _____