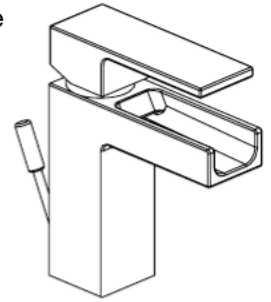


**84211WC**

Single Control Trough

**FINISHES**

84211WCPC Polished Chrome  
 84211WCBN Brushed Nickel



**STANDARDS**

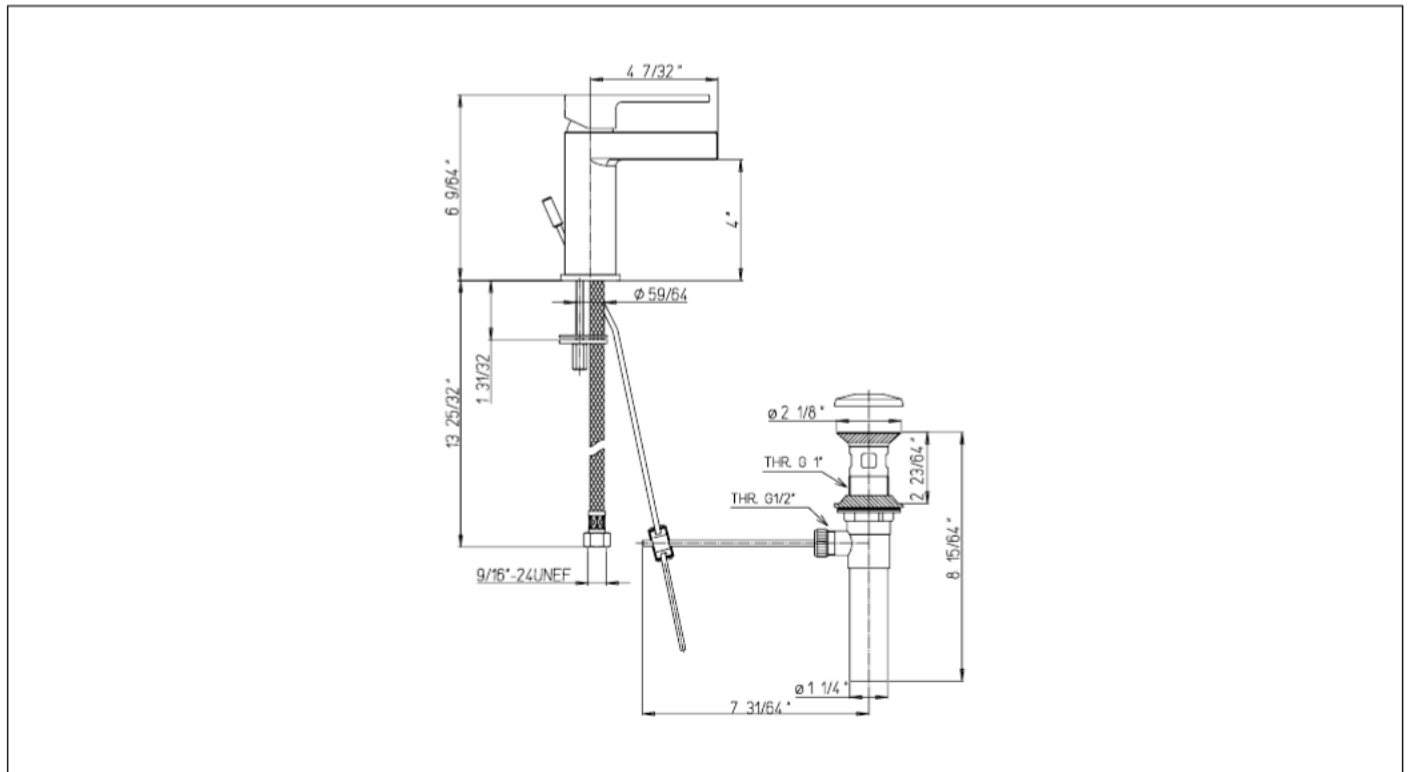


- Compliant with ASME A112.18.1 - CSA B125.1
- Compliant with ANSI/NSF 61
- Compliant with NSF 372 (Low lead)
- Certified by IAPMO R&T Lab
- Meets EPA Water Sense Certification:  
 1.2gpm, 4.5L/min

**FEATURES**

Solid Brass Construction  
 Single Control Ceramic Disc Valve  
 Metal Pop-up assembly  
 1 hole installation. Optional 3-hole  
 deckplate sold separately  
 Step-By-Step Installation Instructions

**DIMENSIONS**



Project \_\_\_\_\_  
 Contractor \_\_\_\_\_