

MRP

SUPPORTS

Ordinary to Extraordinary Self-Leveling Technology



"eterno"

Adjustable & Fixed Pedestal Supports

SELF-LEVELING TECHNOLOGY

Adjustable Pedestal Supports

level uneven surfaces used in concrete, porcelain, wood tiles and decking applications

Automatic Self-Leveling Head

compensates up to a 5% gradient

Adjustment Key

allows adjustment without removing the tile

Fixed Supports

IPE Deck Tiles

Reduced Installation Time

800.828.8424

mrpsupports.com



SE SUPPORT



NM SUPPORT



SB SUPPORT

	SE SUPPORT	NM SUPPORT	SB SUPPORT
SELF LEVELING HEAD	✓		
FIXED HEAD	✓	✓	✓
ADJUSTABLE	✓	✓	✓
EXTENSION ELEMENT	✓	✓	SB3 & SB4 ONLY
ADJUSTMENT KEY	✓	✓	
LOCKING IPE PINS	✓	✓	
RECYCLABLE (LEED)	✓	✓	✓
LOADING CAPACITY	2205 LBS. (1000 KG)	3300 LBS. (1500 KG)	1320 LBS. (600 KG)
HEIGHT RANGE	1.125" - 21.75" (28 MM - 550 MM) * HIGHER WITH EXTENSIONS	1" - 10.63" (25 MM - 270 MM) * HIGHER WITH EXTENSIONS	1.06" - 17" (27 MM - 430 MM) * REQUIRES EXTENSIONS

ORDINARY TO EXTRAORDINARY *self-leveling technology*



Eterno Adjustable Pedestal Supports

MRP Supports (Eterno) pedestals are designed to support Concrete Pavers, Porcelain Pavers, Wood Deck Tiles and Wood Decking. Our pedestal supports are set on any waterproofing membrane and any other surface to be paved. After an initial adjustment the leveling of the pedestal is completed with extreme precision by using our unique **Adjustment Key** even when all pavers are already placed. Each pedestal is supplied with a Base, Threaded Screw and Head. Our standard **Self-Leveling Head** automatically compensates any gradient up to 5%, which reduces time spent shimming to create a perfectly level surface. Our Self-Leveling Head is also supplied with a bi-component soft rubber material that offers anti-noise and anti-slip. Optional add on components are available for Fixed Head and IPE Deck Tile applications. Our Wood Joist Head is also available for any wood joist applications. Our Supports are 100% Recyclable (LEED Approved), resistance to temperature from -22°F to + 248°F (-30°C - + 120 °C), resistance to acid and UV Stable. Loading capacity of each support is more than 2,205 lbs. and the supporting base is 49.6 sq inches (320 cm²).



ULTIMATE solution to underlying issues of pavers

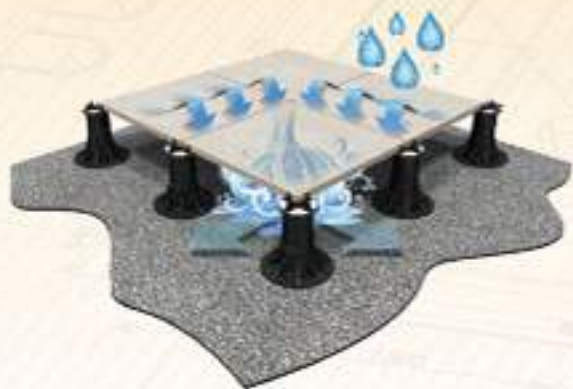


Excellent for Hiding Pipes & Equipment

The void between the paving and membrane can be used to accommodate pipes and services, but retain ease of access.

Better Thermal Insulation

The void between the paving and membrane encourages constant air circulation, extending the life of the waterproofing and improving heat insulation and protecting the surface from UV degradation.



Quick Water Drainage

The small gap between one slab and another allows water to discharge on to the laying surface and facilitate rapid drainage.

Always a Flat Paving & Easily Accessible

With the Pedestal system, you can easily compensate for slight unevenness, irregularities and any gradients on the laying surface, creating a perfectly stable and flat paved surface. The pedestal design allows for the underlying surface and any installed services to be accessed and maintained without damaging the paving.

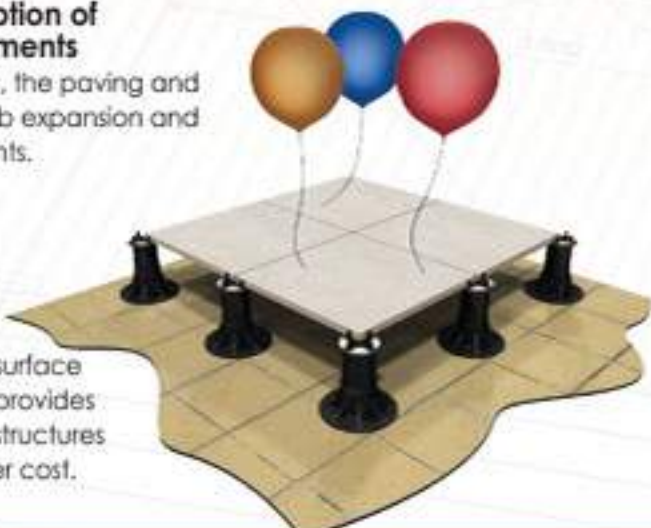


Excellent Absorption of Structural Movements

Being independent, the paving and supports can absorb expansion and structural movements.

Significantly Less Weight

With no requirement for special surface preparation the floating system provides a light weight solution, allowing structures to be built at a substantially lower cost.



THREE-IN-ONE-head

All in One | Self-Leveling Head | Fixed Head | IPE Wood Deck Tiles

FEATURES:

- 1** 6" Diameter **Self-Leveling Head**
Larger Head Surface Area
- 2** Bi-Material Head that
Offers Anti-Noise & Anti-Slip
- 3** Pre-Cut Tab for
Easy Removal (If Needed)
- 4** Locking Piece for **Fixed Head** Applications
For Light Tiles (Optional Add On)
- 5** Pins for **IPE Wood Deck Tiles**
(Optional Add On)



ETERNO adjustable pedestal supports

Levels Un-Even Surfaces

Concrete Pavers | Porcelain Pavers | Wood Deck Tiles | Wood Decking



New Self-Leveling Head with Bi-Material PP & Rubber Anti-Noise & Anti-Slip

2

New Pre-Cut Tabs for Easy Removal

9

Locking Coupling that Locks into Head

4

3

Block System Indicates to Installer When Unit has Safely Reached its Maximum Height Adjustment

1 New Reinforced Adjustment Key

1

Screw
 V0 3/4" (19mm)
 V1 7/8" (22mm)
 V2 1-1/4" (35mm)
 V3 2-1/4" (60mm)
 V4 4" (105mm)
 V5 6" (155mm)

3-1/2" (89mm)

P1 7 Extension

5 Supporting Base
 80 5/8" (16mm)
 81 7/8" (25mm)
 82 1-5/8" (40mm)
 83 2-1/2" (65mm)

1/4" (6mm)

1

THE "KEY" IS THE KEY TO YOUR SUCCESS
 Our unique "Adjustment Key" allows you to level and adjust our Eterno Pedestal Supports WITHOUT removing the paver. This unique feature saves labor costs and reduces possible injuries from lifting the concrete paver.

2

NEW SELF-LEVELING BI-MATERIAL HEAD
 Our unique self-leveling head allows the head to automatically compensate any gradient up to 5% that reduces time needed to shim and create a perfectly flat surface.

3

BLOCK SYSTEM
 Block system indicates to installer when unit has safely reached its maximum height adjustment. A cut out is also part of this system that allows the installer to push in safety tab that allows components to be released if necessary.

4

LOCKING COUPLING
 Allows head to be locked into the threaded screw.

5

BASE PRE-CUT LINES
 Base bottom with pre-cut lines for easy and precise cuts when needed for corner placement situations.

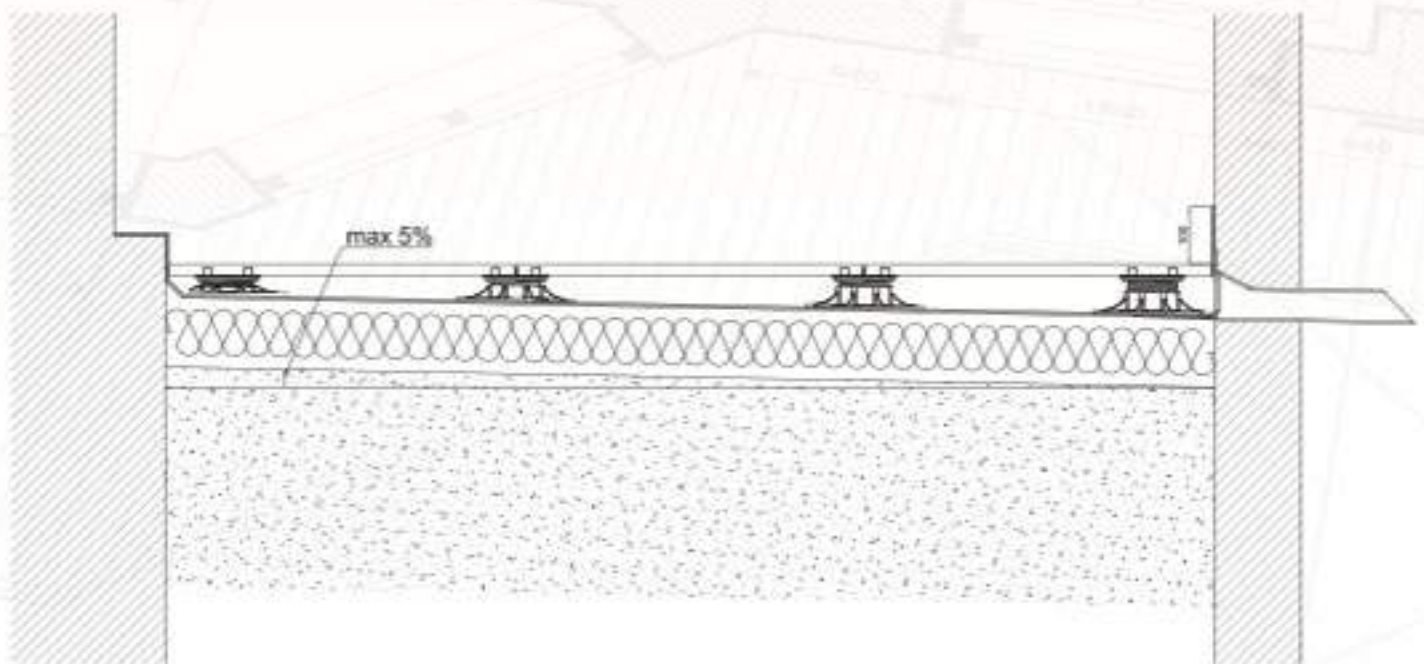
WHAT ARE INSTALLERS SAYING?

"The Eterno Adjustable Pedestal Support saves us 30 to 40 % in installation labor because of the UNIQUE FEATURES that no other company has!"

FEATURES	AMP ETERNO SUPPORTS	COMPETITORS
#1 ADJUSTMENT KEY	Levels Support without removing paver	N/A
#2 SELF-LEVELING HEAD	Automatically Compensates up to a 5% Gradient & Bi-Material Head	N/A
#3 BLOCK SYSTEM	Safety Height tabs	N/A
#4 LOCKING COUPLING	Coupling locks into head	N/A
#5 BASE	Pre-Cut Base for Corner Applications	N/A
#6 SCREW	Different Screw Heights	Some
#7 EXTENSION	Extension for Higher requirements	Some
#8 WATER DRAINAGE HOLES	No Ponding Water	N/A
#9 PRE-CUT TABS	Easy removal of tabs when needed	Some

THE "KEY" is the key to your success

Our Unique "Adjustment Key" allows you to level and adjust our Etemo paver supports **WITHOUT** removing the paver. This saves labor costs and reduces possible injuries from lifting the concrete paver.



ETERNO adjustable pedestal support sizes



Plus 4" Self-Locking Head with 5/32" (4 mm) Thick Legs *Square Head



Small 4" Diameter Head Available as a Special Order

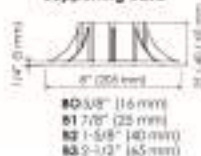
Screw



Extension



Supporting Base



COMPONENTS TABLE - SE 6-SE 14

SE6 = SE3 + 1xP1	SE9 = SE3 + 2xP1	SE12 = SE3 + 3xP1
SE7 = SE4 + 1xP1	SE10 = SE4 + 2xP1	SE13 = SE4 + 3xP1
SE8 = SE5 + 1xP1	SE11 = SE5 + 2xP1	SE14 = SE5 + 3xP1

Note: It is recommended to place additional supports under pavers with heavy objects, such as Planters & Hot Tubs, for extra support!



Optional Locking Piece for Fixed Head-Light Tile Applications



LGH2 1/16" (2mm) Leveling Shim



Optional Pins for IPE Tile Applications



LGH3 1/8" (3mm) Leveling Shim



Wood Joist Head For Wood Joist Applications



LH3 1/8" (3mm) Leveling Shim



EH 12



EH 15



EH 20

STAR T and B

The Star T is adjustable from 3/8" – 9/16" (8-30mm) and is compatible with any type of Concrete, Porcelain, Ceramic or composite material floor of any size and weight. The adjustment of the Star T using our unique Adjustment Tool allows you to make precise adjustments when needed. The Star B is an extension that enables heights to reach the SE0 and NM1 Adjustable Supports. The Star B is placed under the Star T that increases the height of 3/16" (5mm). The maximum number of Star B's to be used is a quantity of three. Our IPE Pins are also available to be used with the Star T when using IPE Wood Deck Tiles that are supplied with pre-drilled holes underneath the IPE.

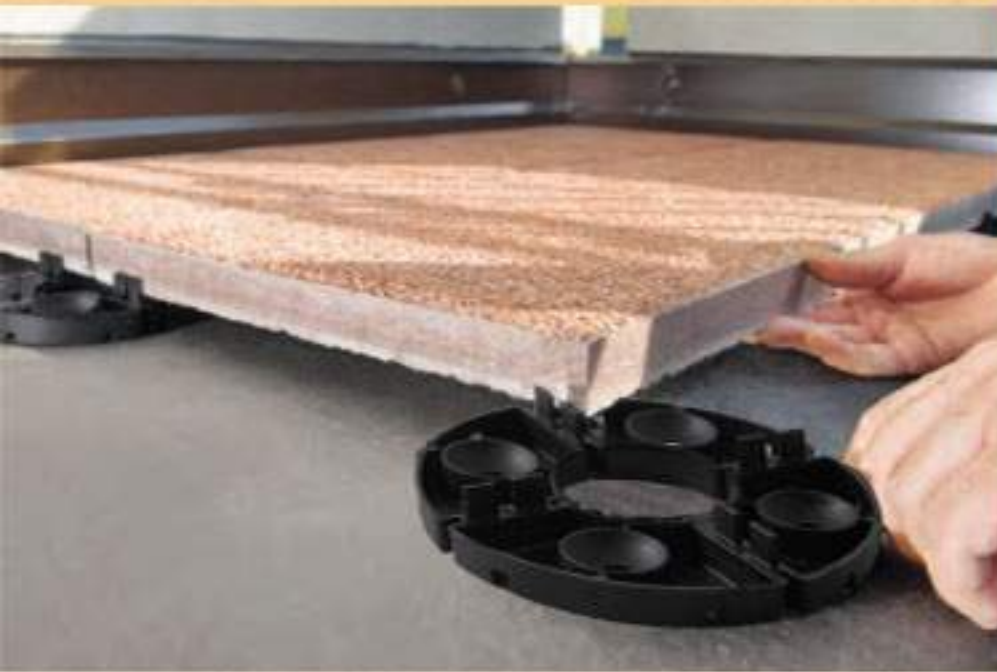
8 15
STAR.T



Star T Head with Pins
for IPE Wood Deck
Tile Applications



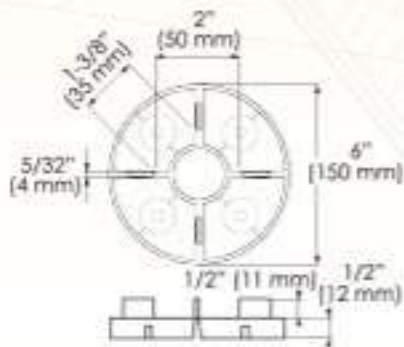
THE "EH" RANGE fixed height paver support



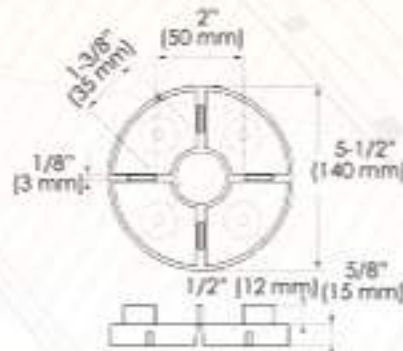
The fixed height supports "EH" are available in 1/2" (12mm), 5/8" (15mm) and 3/4" (20mm) heights. Tabs supplied are 5/32" (4mm) and our LH3 leveling shim is also available in 1/8" (3mm) thick.



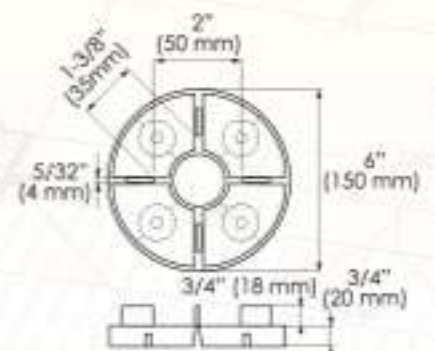
EH 12



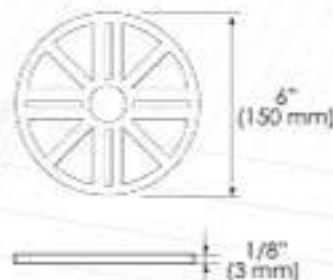
EH 15



EH 20



LH3



EH FIXED rubber support

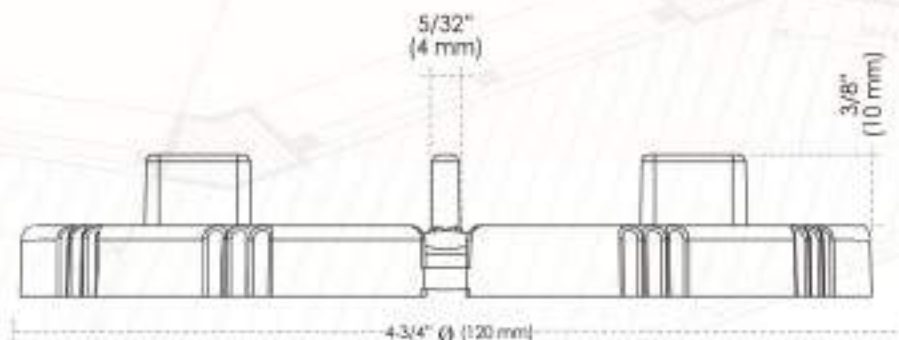
EH fixed rubber supports are supports made of SBS recyclable rubber. The material used has a particularly high resistance to temperature changes, acid solutions and atmospheric agents that make it mostly suitable for outdoor use. They are subjected to great crush performance, thanks to its elastic power, it returns to its original shape. It has a high sound absorbing property and its composition is formulated specifically to match the high performance of the "white head" present in the NM and SE models belonging to the MRP Pedestal line.

EH fixed rubber supports are a fixed support that are available in two sizes - 4-3/4" (121mm) OD x 3/8" (10mm) high and 4-3/4" (121mm) OD x 1/4" (6 mm) high. Both can be used separately or superimposed, until they reach the required height.

Because of its raw material and its compact size, EH fixed rubber supports become a great ally in the construction field and in architecture; ensuring high speed during installation procedures, better sound insulation and granting a good floor finishing results. It can raise any type of floor finish (stone, ceramic, cement, composite material, etc.) of any size and weight. These supports can be used whole, half or divided into quarter sections.

The tab of the Pedestals are 3/8" (10 mm) high and 5/32" (4 mm) thick as standard stock.

On request and SPECIAL ORDER, the tabs are also available with the required thickness to be used for 1/16" (2mm) and 1/8" (3mm) joints .

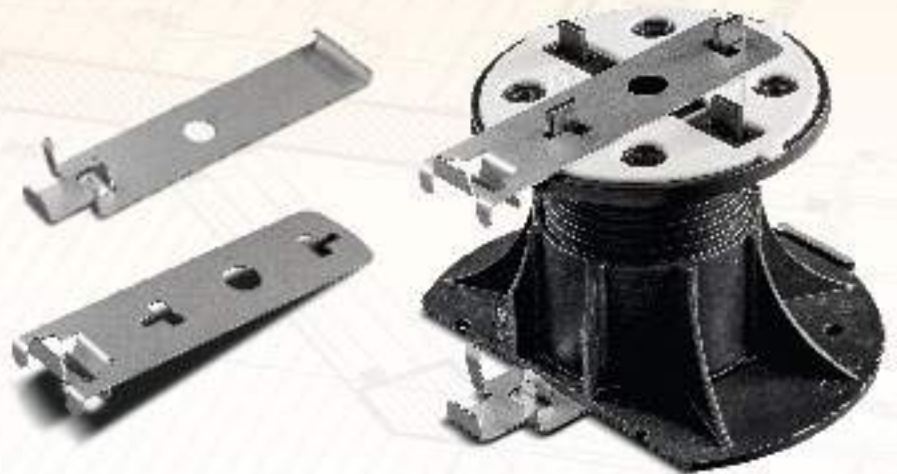
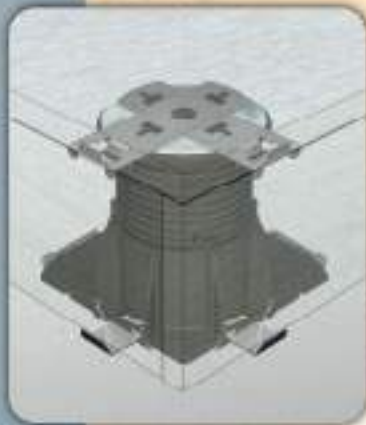


Rubber Fixed Support are also available with Locking Pins to be used with our IPE Wood Deck Tiles Rubber Support is 5-1/4" (133mm) OD x 1/4" (6mm) tall. Tab height is 5/8" (16mm) x 5/32" (4mm) thick.

Also available without locking pins.

CLIPS for vertical and horizontal closure

Our clips are designed to solve a problem on how to fill in the gap around the edge when no perimeter wall is present. This solution is used with Porcelain Tiles and represents an innovative, easy and elegant way to eliminate gaps around raised floors. The system consists of two special stainless-steel clips for positioning over head and under the base of the MRP Supports. It creates a firm setting capable of gripping the section of the floor to fill the gap. The use of our floor edge clip effectively prevents horizontal movement of floor slabs. This system is also possible to create steps.



SLAB EDGE perimeter spacer

Designed to avoid contact between the slabs of outdoor raised floors and outside walls. The Slab Edge Perimeter spacer is made of stainless steel and incorporates a damper to absorb expansion and guarantees a secure grip, the use of these clips ensures a stable floor surface with a straight and elegant perimeter.



ALUMINUM *joists*

Aluminum joists are an option as a substrate for an elevated system. Our special aluminum joist head locks the aluminum joist to the head. Aluminum tabs anchor the decking in a simple and reliable way for the installer. Can be used with wood and ceramic decking applications.



NM SERIES *economical alternative with adjustability*

The Eterno NM 'Maxi' range of pedestals from MRP Supports is the very definition of strength and reliability. This range of adjustable pedestals features a cost saving 6" Diameter Fixed Head (rather than the self leveling head on the SE range of pedestals) while retaining classic Eterno pedestal features – complete adjustable height control before and after installation, anti-slip, noise reducing rubber head with inbuilt spacer tabs and strong, UV resistant, polypropylene components.

When installed on sloping surfaces, either shims or our Slope Compensator ensure a level support surface. The Slope compensator compensates from 0 – 1 %.

Suited for any self-supporting outdoor paving system, the NM 'Maxi' Series is an elegant, cost effective solution to your elevated decking needs.

Our Unique Adjustment Tool allows the installer to precisely level the pavers after installation without having to lift or remove any pavers. You simply insert the tool from above into a slot in the pedestal head via the gap between the pavers and turn it clockwise or anticlockwise to adjust the height.



Advantages

- Adjustable height from 1" – 10.63" (25-270mm)
- Adjusting the height with our exclusive adjustment key
- 320 cm² smooth base support
- Recyclable
- Resistance to temperatures between -40°- 248°F (-40° – 120°C)
- Resistance to acids and ultraviolet deterioration
- Suitable to any self-supporting outdoor paving system
- Head with noise-reducing and anti-slip rubber
- Easy to remove tabs
- Load tests available
- Compatible with "Twist" Slope compensator (0 – 1 %)
- Loading capacity 3300 lbs.



XL HEAD



NM 1
1" - 1.57"
(25-40mm)



NM 2
1.57" - 2.75"
(40-70mm)



NM 3
2.34" - 3.93"
(60-100mm)



NM 4
3.54" - 6.30"
(90-160mm)



NM 5
5.90" - 10.63"
(150-270mm)



F NM
5"
(125mm)



LGH2 - LGH3
1/16" - 1/8"
(2-3mm)



Slope
Compensator



**The industry leader
for features and quality.**



MRP

SUPPORTS

800.828.8424

mrpsupports.com

3310 N. Benzing Road
Orchard Park, NY 14127-1538