

# MANIGLI

LUXURY HARDWARE

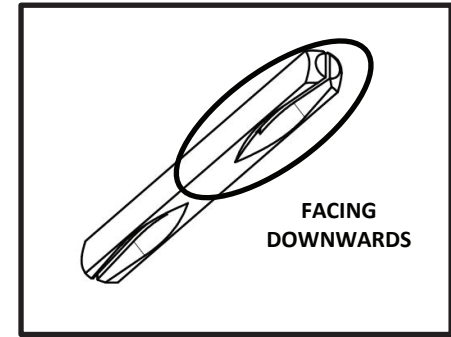
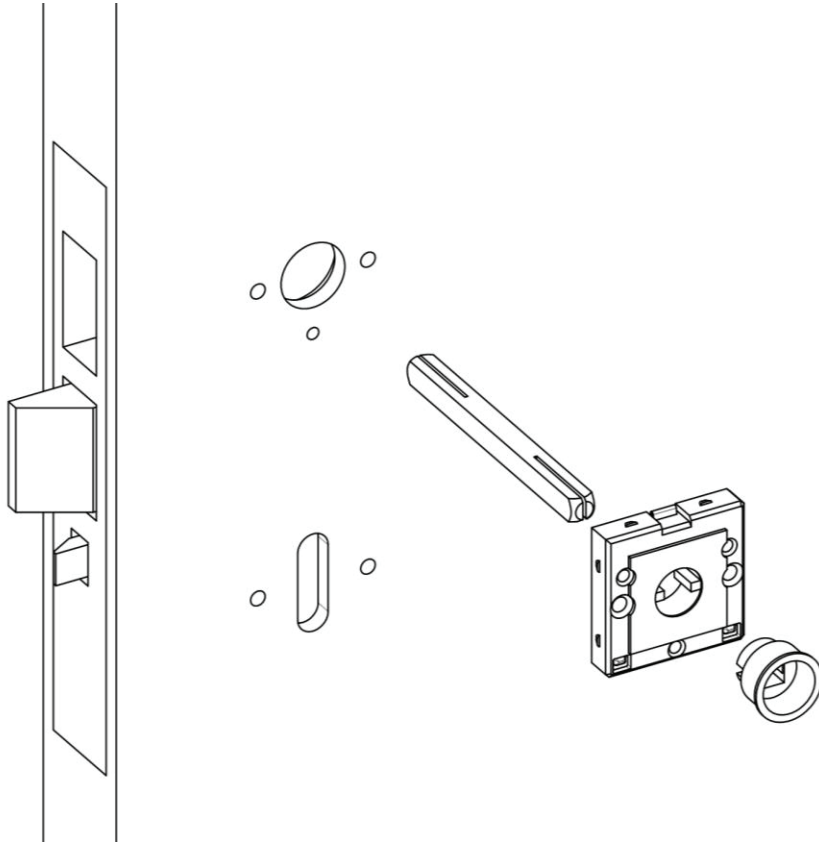
QES INSTALLATION INSTRUCTION

[www.manigli.com](http://www.manigli.com)

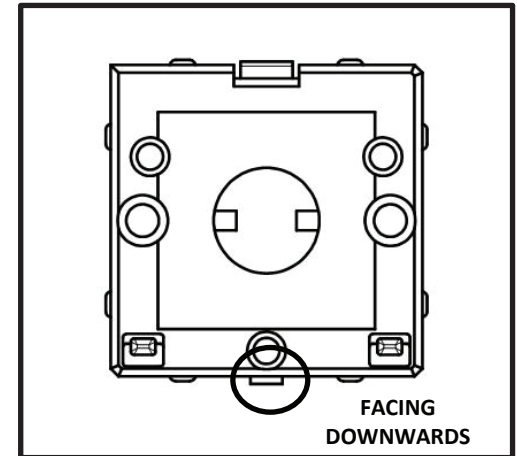
# QES Installation Instructions

## STEP 1:

- Insert the spindle into the lock hub making sure to keep the grooved side downward. ("**PART. X**")
- Slide the lever inner rose over the spindle (ensure the rose dent is facing downwards) using the centring bush.



**PART. X**

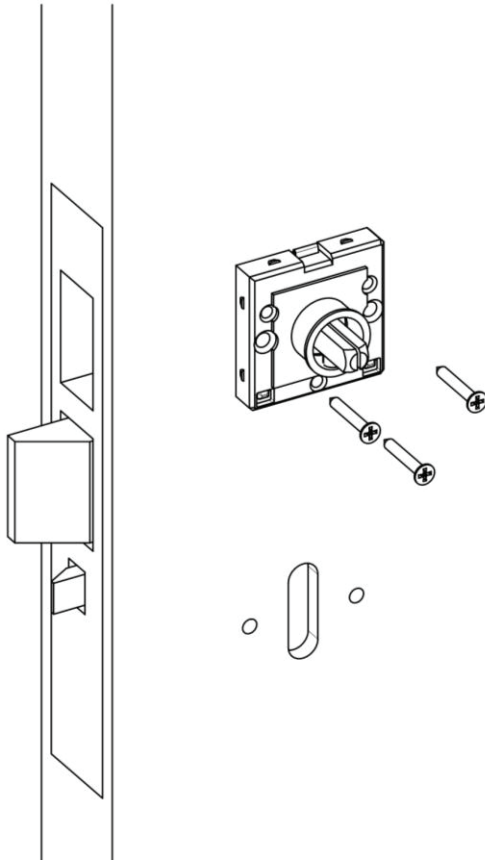


**PART. Y**

## STEP 2:

### VERSION A (3 WOOD SCREWS):

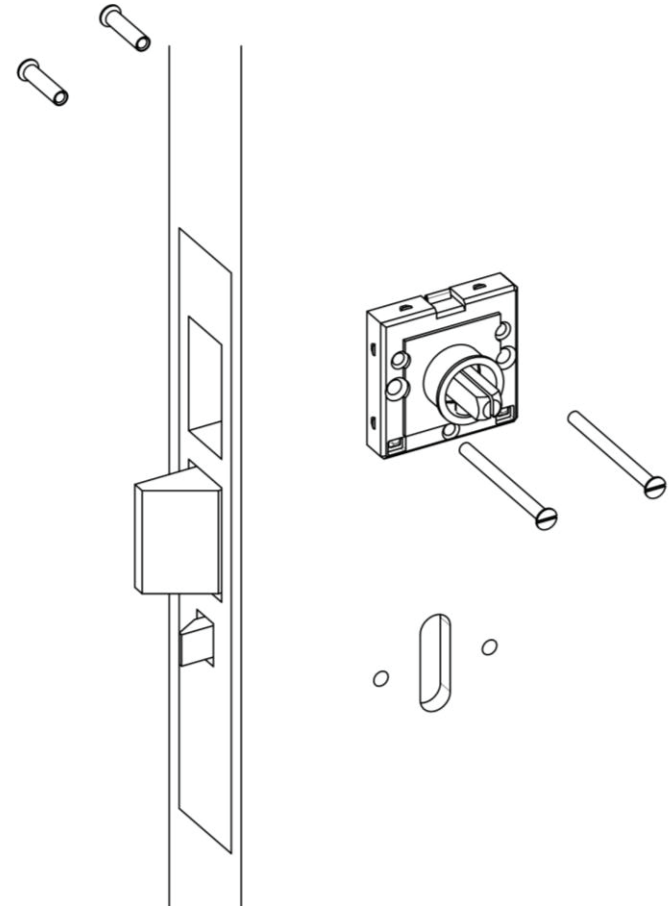
- Insert the screws into the screw-holes and tighten them, while ensuring your screw gun is set to the minimum torque setting..



Adjust the friction of the screwdriver to the minimum.

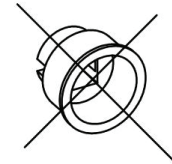
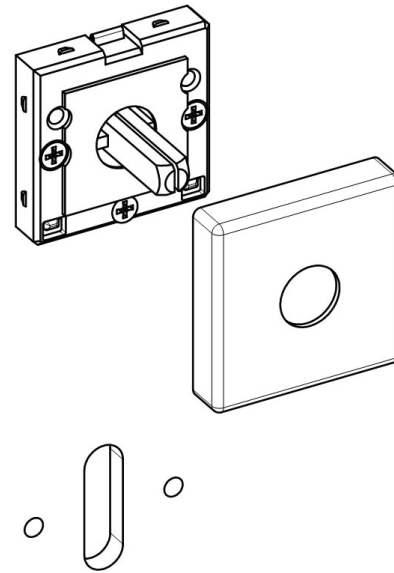
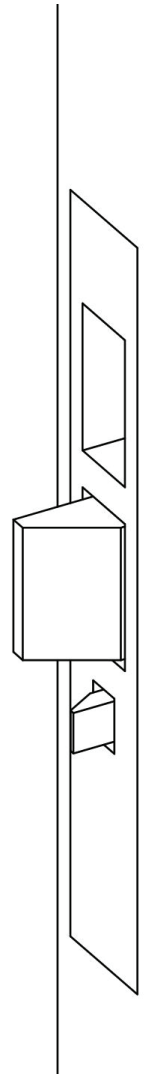
### VERSION B (2 THROUGH FIXING SCREWS):

- Insert the bolts and screws into the appropriate holes and tighten them, while ensuring your screw gun is set to minimum torque setting.



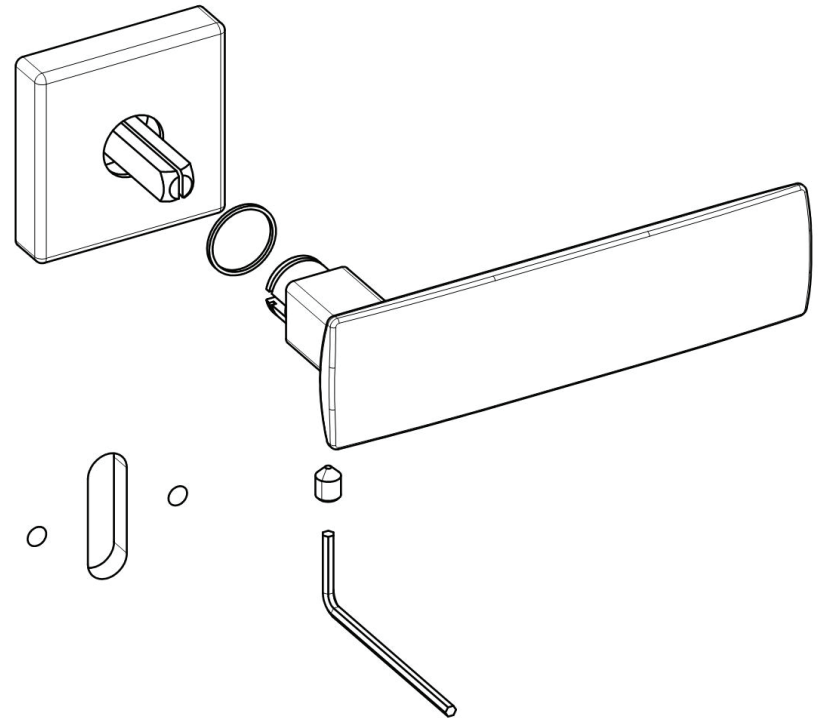
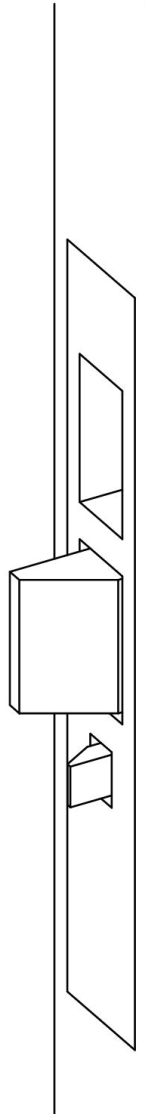
## STEP 3:

- Remove the centering bush
- Firmly press the outer rose onto the inner rose until you hear it click.



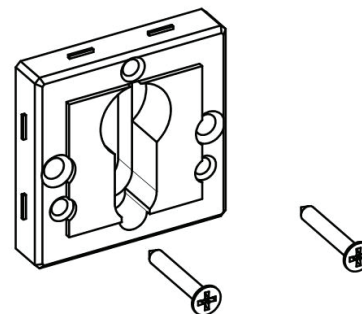
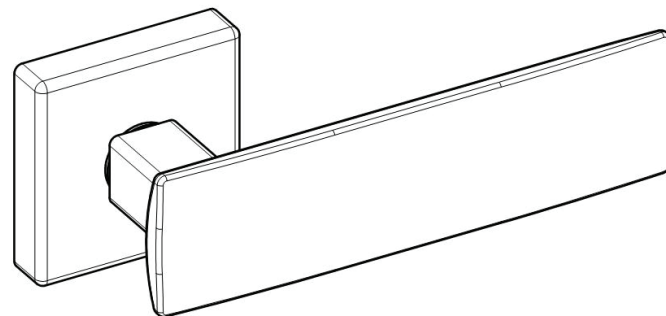
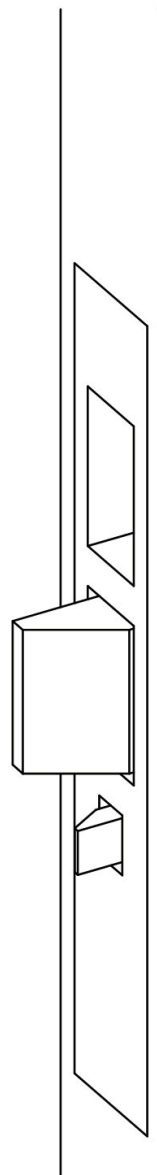
## STEP 4:

- Insert the lever handle with nylon washer onto the spindle and secure the handle in place by tightening the grub screw



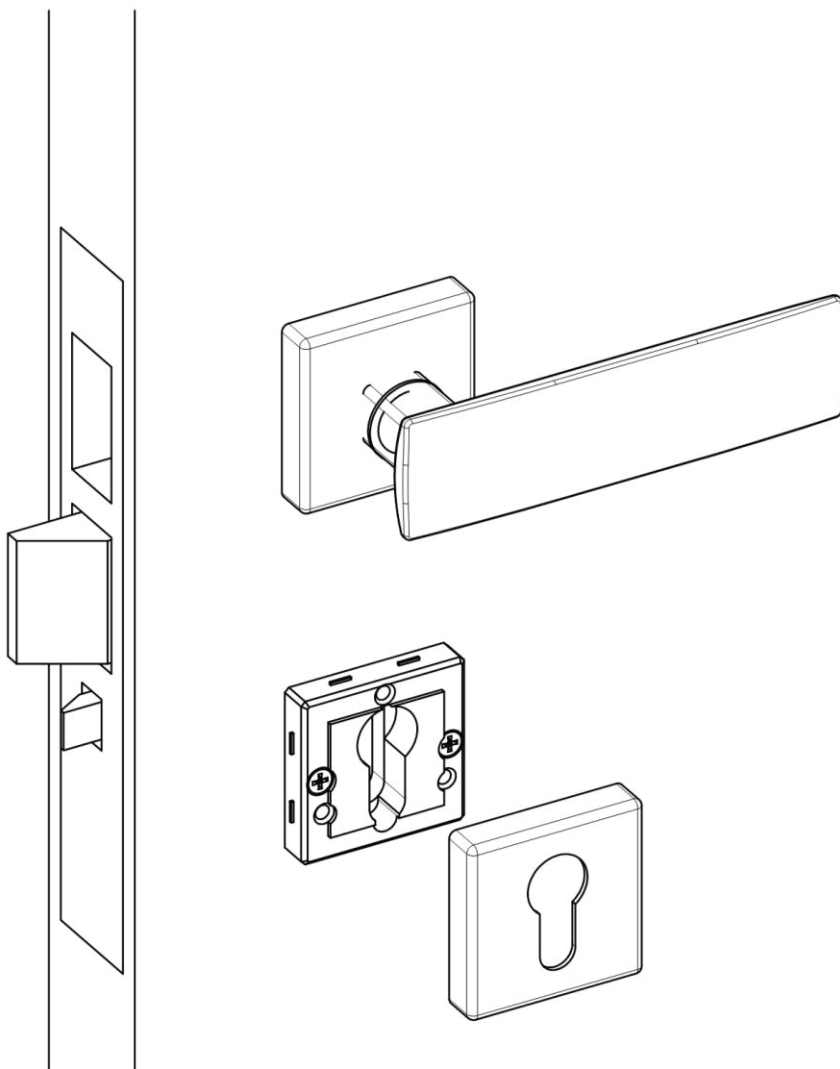
## FASE 5:

- Fix the escutcheon inner rose onto the door by tightening the fixing screws



## FASE 6:

- Firmly press the outer escutcheon cover over the inner escutcheon rose until you hear it click.



**MANIGLI**

[www.manigli.com](http://www.manigli.com)