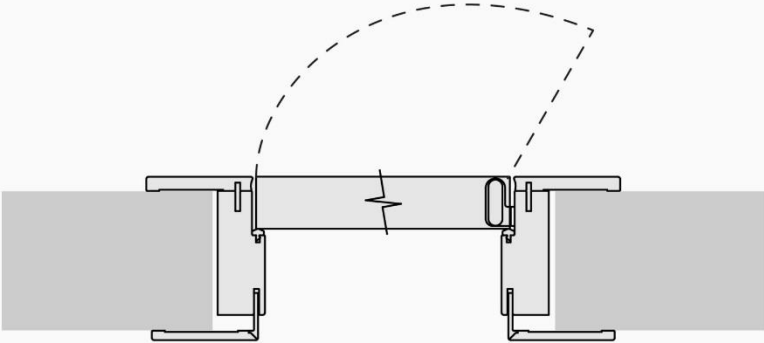


Hinged Doors

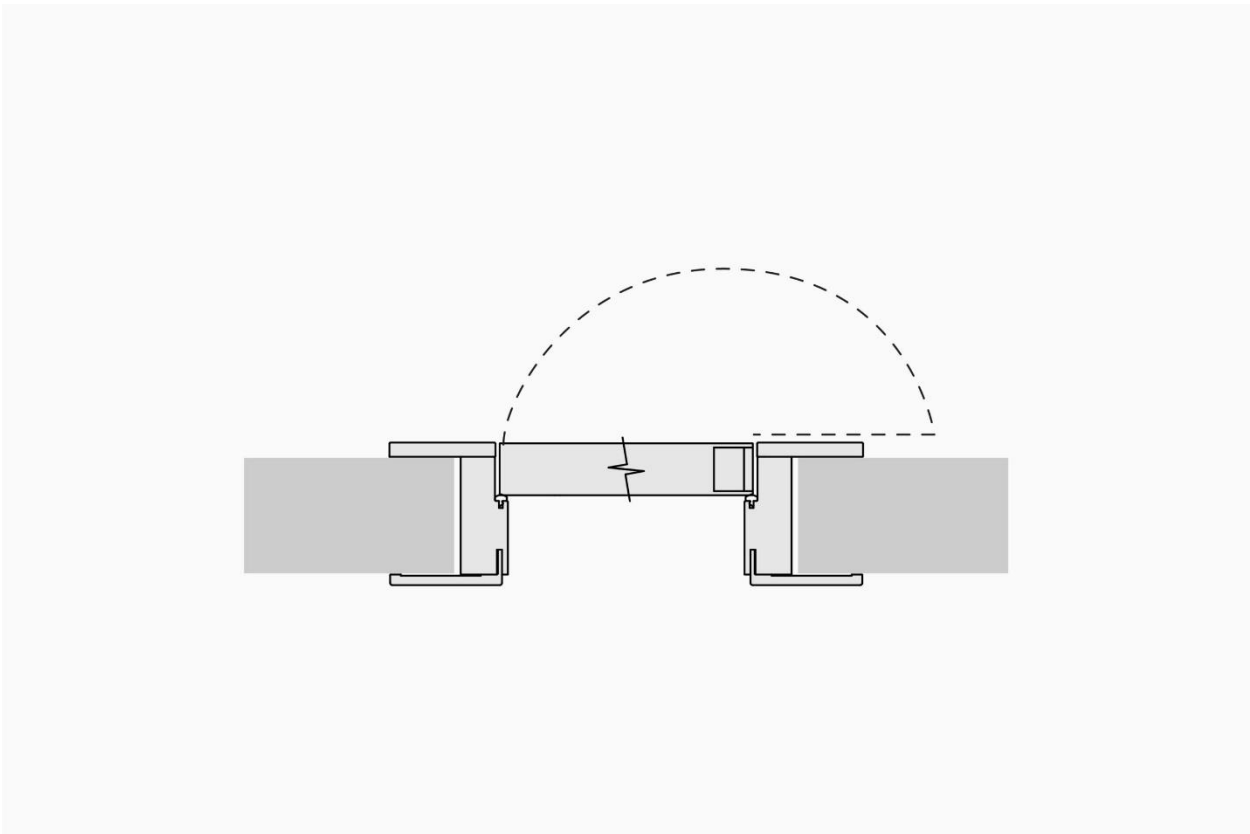
Pivot P

Pivot opening 120° - Reversible



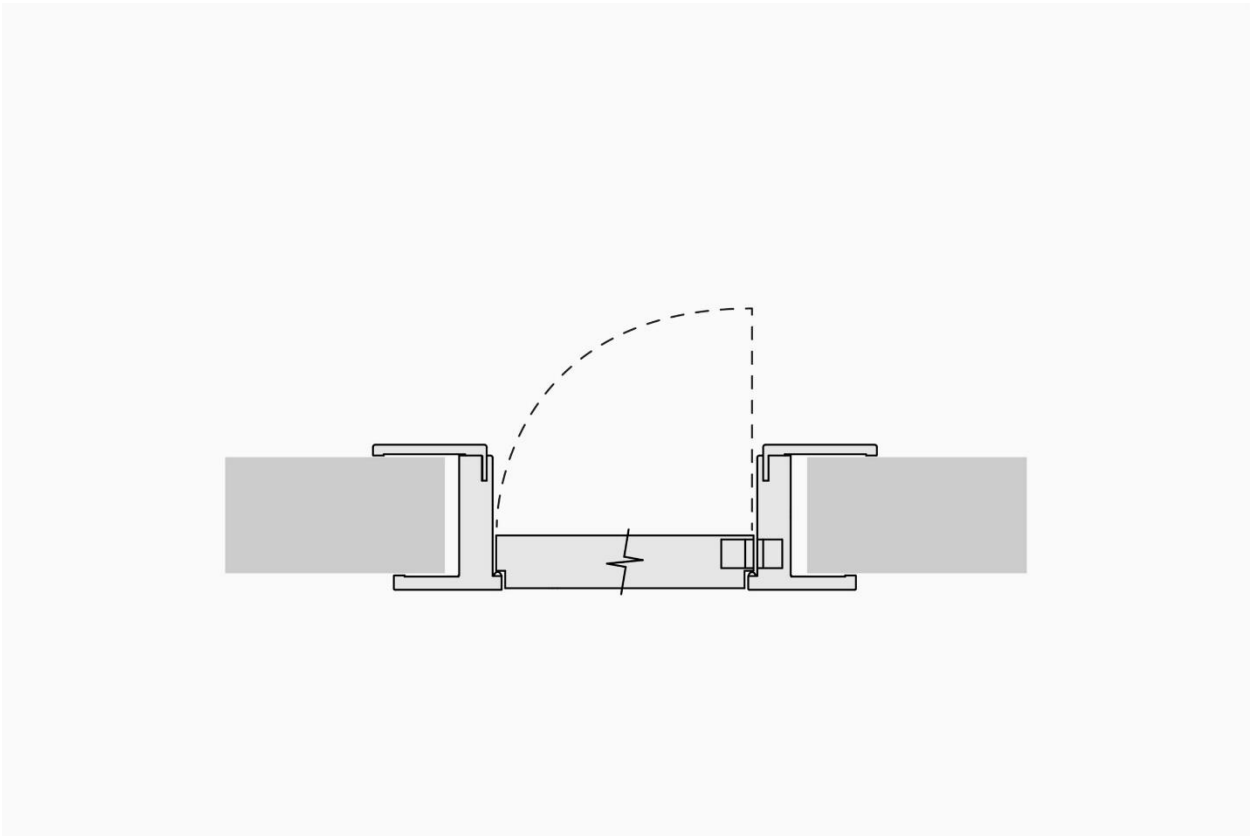
Standard S

180° hinged opening - Reversible



Flush Push F

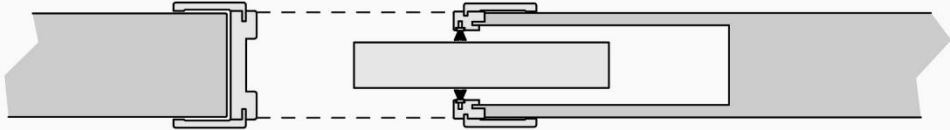
90° hinged opening - Non-reversible



Sliding doors

Internal to wall

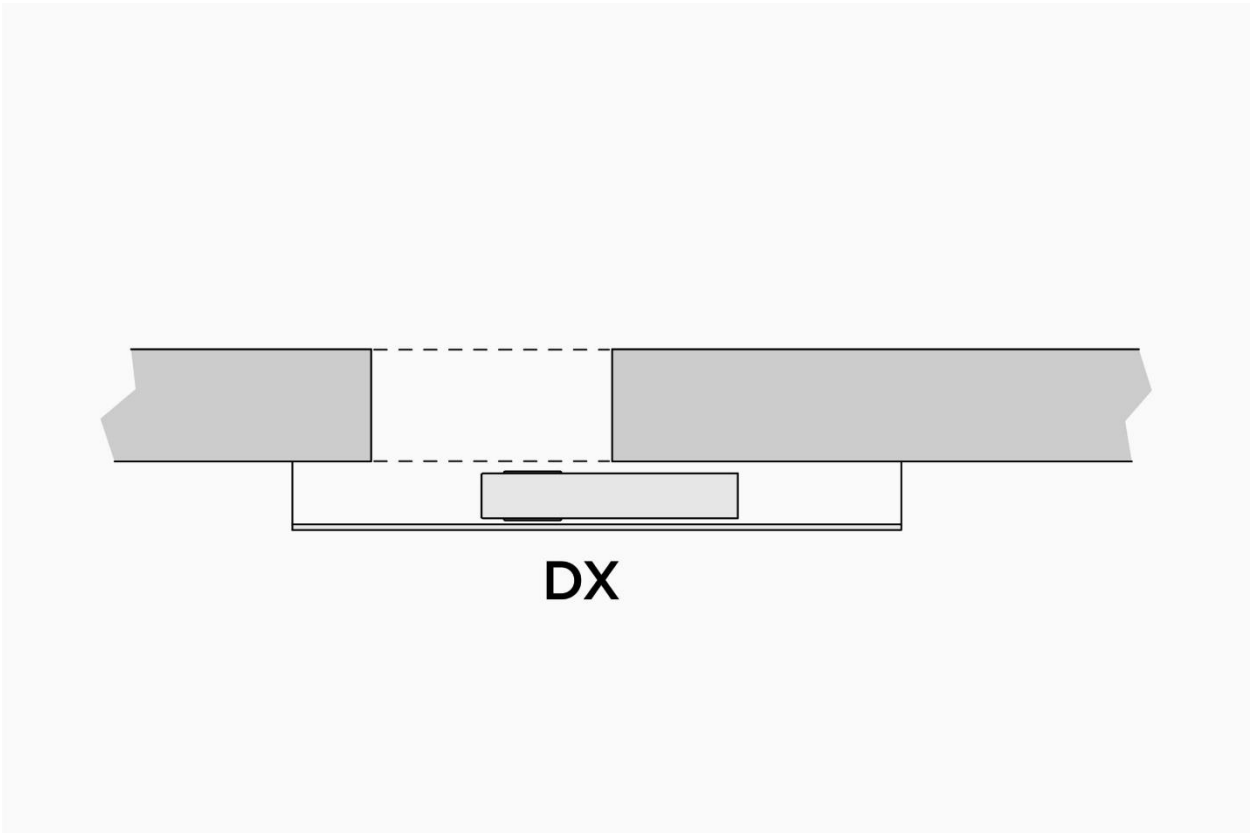
Reversible



DX

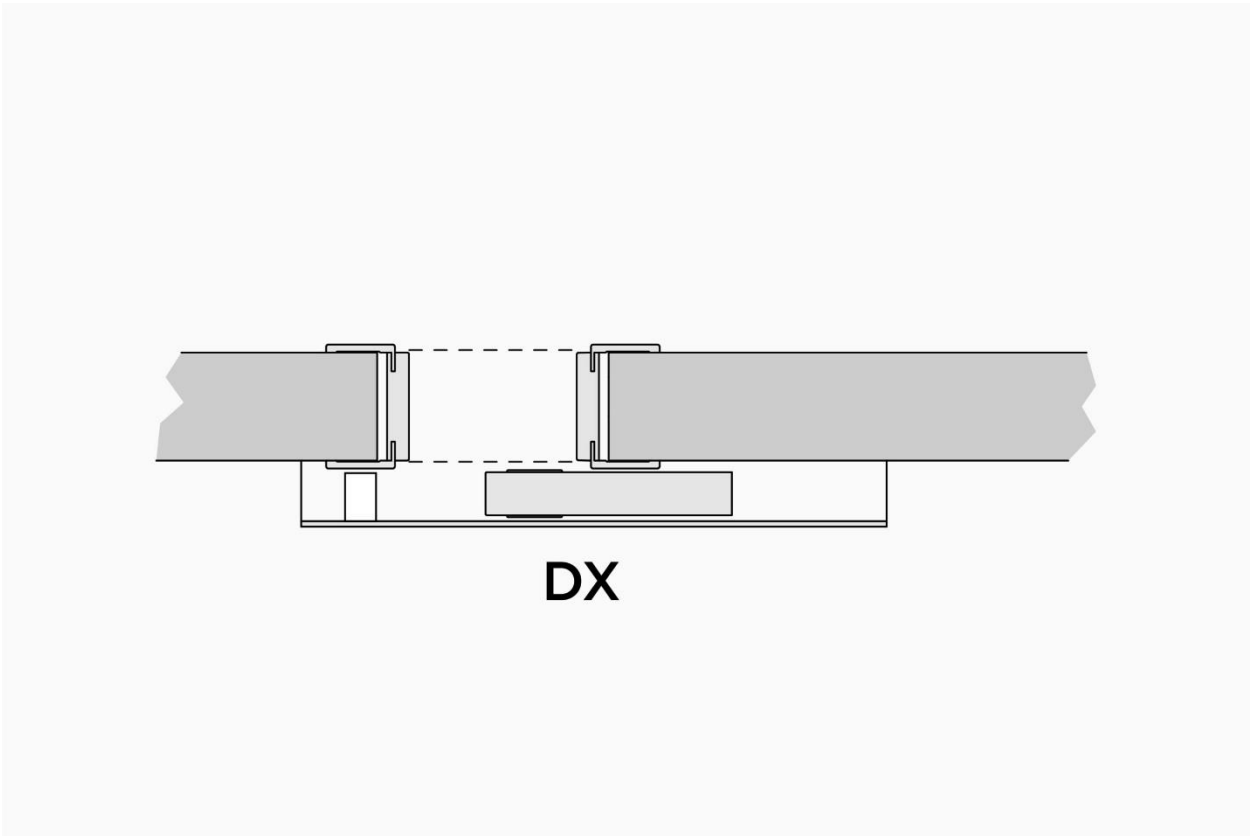
External to wall - no frame

Reversible



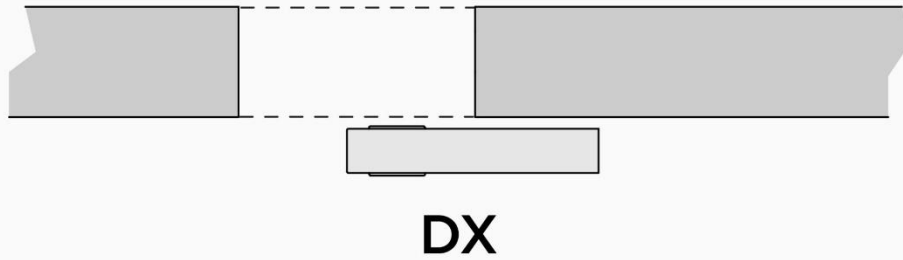
External to wall - with frame

Frame 4 cm thickness



X Slide

A concealed sliding mechanism



Space-saving

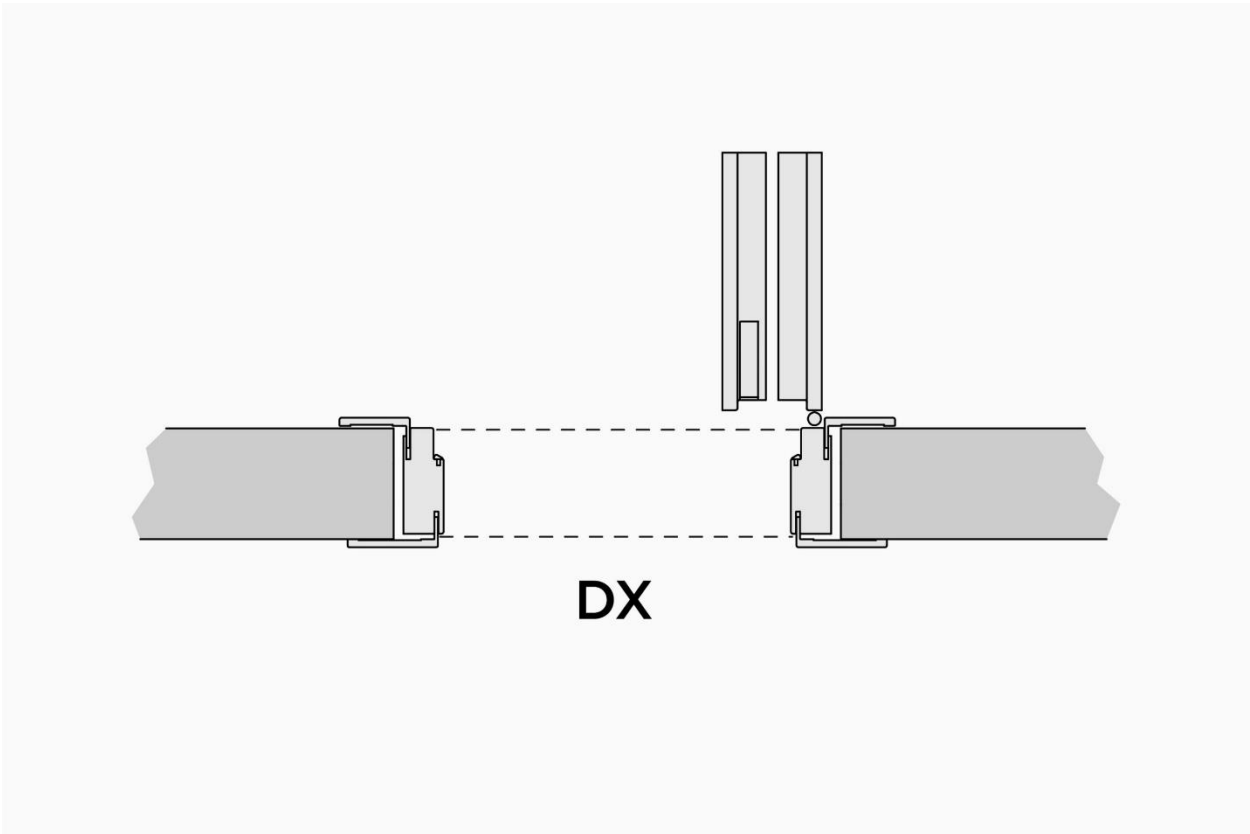
X Fold 180°

180° bifold door



DX

Bifold
Bifold door



Double swing pivot door

Opens and closes on both sides

