



Air | 40 Side Table

The Air Side Tables pay tribute to the invisible foundations of life on Earth. Standing on rosebush branches, molded in brass casting, the acrylic top seemingly floats, as if suspended in the air. Their weightless feel makes them purposefully atmospheric for living spaces in need of lightness.

AS PICTURED

MATERIALS & FINISHES

Top: Crystal Acrylic.

Legs: Cast brass with Brass finishing.

DIMENSIONS

Ø: 40 cm | 15,7"

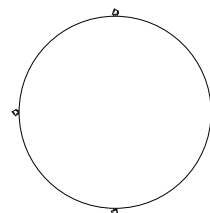
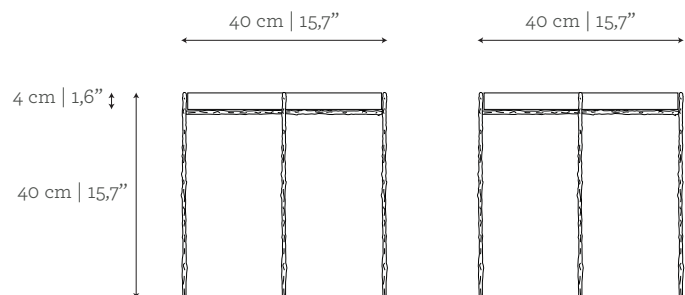
H: 40 cm | 15,7"

CUSTOM/BESPOKE

This product is not suitable for customization.

ENVIRONMENT

This product is made for living areas in interior spaces only. This product is not specified for bathrooms, spa's or humid environments. Not suitable for exteriors.



VOLUME

0,06 m³ | 2,12 ft³

WEIGHT

10 kg | 22 lbs

Packed (in reinforced carton case)

0,10 m³ | 3,53 ft³

12 kg | 26,5 lbs

PRODUCT OPTIONS

Air | 40 Side Table

MATERIALS & FINISHES

Top: Crystal acrylic; or lacquered in all RAL colours with matt or gloss finishing; or Carrara, Negro Marquina, Estremoz, Estremoz Rose or Guatemala Green marble in polished finishing, or Romano Travertine in natural finishing.

Legs: Brass, Antique Brass, Silver, Antique Silver, Copper or Antique Copper.

Top:

Acrylic



CRYSTAL

Lacquer



CREAM
NCS S
1010 - Y20R



STONE
NCS S
2005 - Y30R



OLIVE GREEN
NCS S
6020 - Y10R



GREEN MOSS
RAL 7003



GREEN
RAL 6009



LAVENDER
NCS S
3010 - R



CHERRY
RAL 3005



CORAL
NCS S
4050 - Y90R



MIOSOTIS
NCS S
3010 - B70G



NIGHT JUNGLE
NCS S
8502 - G

Marble



CARRARA
Polished



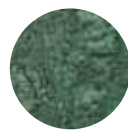
**NEGRO
MARQUINA**
Polished



ESTREMOZ
Polished



**ESTREMOZ
ROSE**
Polished



**GUATEMALA
GREEN**
Polished



**ROMANO
TRAVERTINE**
Natural

GINGER & JAGGER

PRODUCT OPTIONS

Air | 40 Side Table

Legs:



BRASS
Brass



ANTIQUE BRASS
Brass with patina



SILVER
Brass with silver leaf



ANTIQUE SILVER
Brass with silver leaf and patina

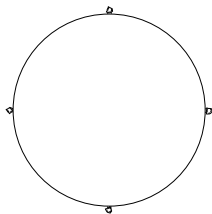
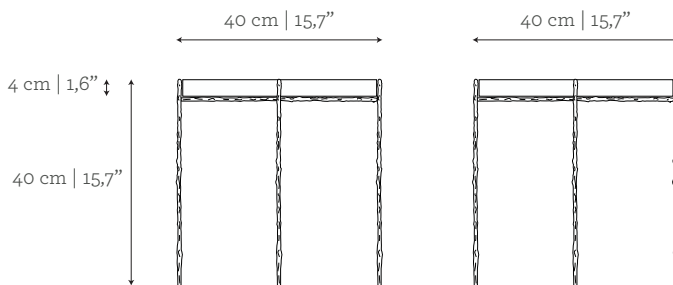


COPPER
Brass with copper leaf



ANTIQUE COPPER
Brass with copper leaf and patina

LACQUERED VERSION



VOLUME

0,06 m³ | 2,12 ft³

WEIGHT

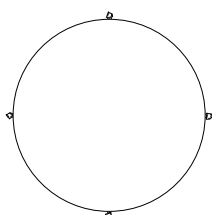
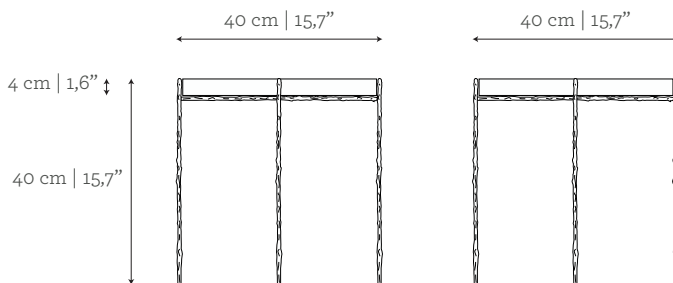
8 kg | 17,6 lbs

Packed (in reinforced carton case)

0,10 m³ | 3,53 ft³

10 kg | 22 lbs

MARBLE VERSION



VOLUME

0,06 m³ | 2,12 ft³

WEIGHT

19 kg | 41,9 lbs

Packed (in wooden case)

0,11 m³ | 3,88 ft³

65 kg | 143,3 lbs



Air | 50 Side Table

The Air Side Tables pay tribute to the invisible foundations of life on Earth. Standing on rosebush branches, molded in brass casting, the acrylic top seemingly floats, as if suspended in the air. Their weightless feel makes them purposefully atmospheric for living spaces in need of lightness.

AS PICTURED

MATERIALS & FINISHES

Top: Crystal Acrylic.

Legs: Cast brass with Brass finishing.

DIMENSIONS

Ø: 50 cm | 19,7"

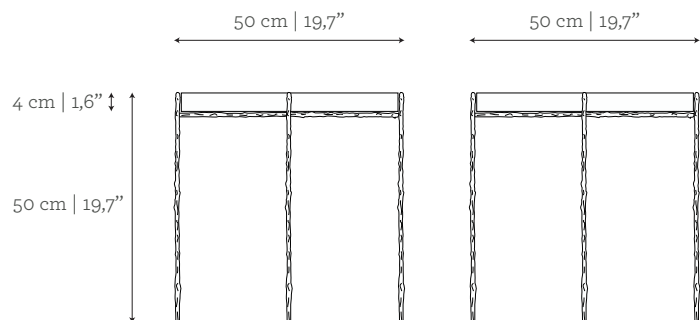
H: 50 cm | 19,7"

CUSTOM/BESPOKE

This product is not suitable for customization.

ENVIRONMENT

This product is made for living areas in interior spaces only. This product is not specified for bathrooms, spa's or humid environments. Not suitable for exteriors.



VOLUME

0,13 m³ | 4,59 ft³

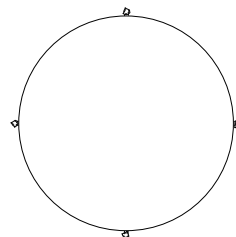
WEIGHT

15 kg | 33,1 lbs

Packed (in reinforced carton case)

0,19 m³ | 6,71 ft³

19 kg | 41,9 lbs



GINGER & JAGGER

PRODUCT OPTIONS

Air | 50 Side Table

MATERIALS & FINISHES

Top: Crystal acrylic; or lacquered in all RAL colours with matt or gloss finishing; or Carrara, Negro Marquina, Estremoz, Estremoz Rose or Guatemala Green marble in polished finishing, or Romano Travertine in natural finishing.

Legs: Brass, Antique Brass, Silver, Antique Silver, Copper or Antique Copper.

Top:

Acrylic



CRYSTAL

Lacquer



CREAM
NCS S
1010 - Y20R



STONE
NCS S
2005 - Y30R



OLIVE GREEN
NCS S
6020 - Y10R



GREEN MOSS
RAL 7003



GREEN
RAL 6009



LAVENDER
NCS S
3010 - R



CHERRY
RAL 3005



CORAL
NCS S
4050 - Y90R



MIOSOTIS
NCS S
3010 - B70G



NIGHT JUNGLE
NCS S
8502 - G

Marble



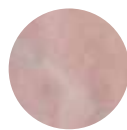
CARRARA
Polished



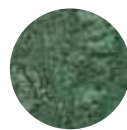
**NEGRO
MARQUINA**
Polished



ESTREMOZ
Polished



**ESTREMOZ
ROSE**
Polished



**GUATEMALA
GREEN**
Polished



**ROMANO
TRAVERTINE**
Natural

GINGER & JAGGER

PRODUCT OPTIONS

Air | 50 Side Table

Legs:



BRASS
Brass



ANTIQUE BRASS
Brass with patina



SILVER
Brass with silver leaf



ANTIQUE SILVER
Brass with silver leaf and patina

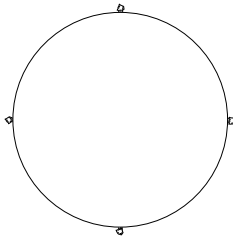
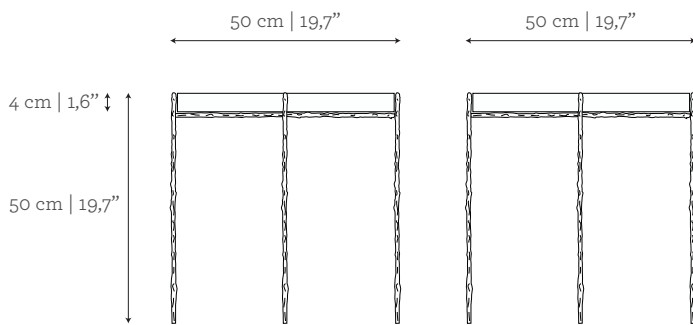


COPPER
Brass with copper leaf



ANTIQUE COPPER
Brass with copper leaf and patina

LACQUERED VERSION



VOLUME

0,13 m³ | 4,59 ft³

Packed (in reinforced carton case)

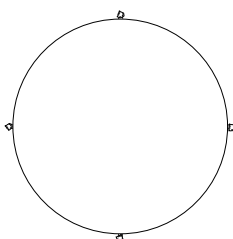
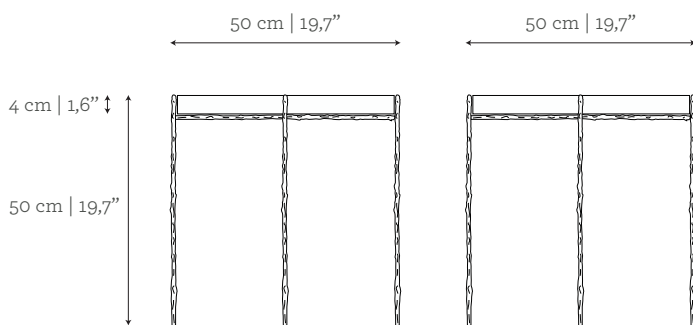
0,19 m³ | 6,71 ft³

WEIGHT

13 kg | 28,7 lbs

17 kg | 37,5 lbs

MARBLE VERSION



VOLUME

0,13 m³ | 4,59 ft³

Packed (in wooden case)

0,20 m³ | 7,06 ft³

WEIGHT

29 kg | 63,9 lbs

75 kg | 165,3 lbs