



Cerne | 60 Side Table

The Cerne is born from the very heart of trees, with their concentric rings conveying evolution over time and the passing of seasons within each layer. The elegant wood veneer surfaces have been applied using the marquetry technique, with their contours accentuated by a delicate metal footer.

AS PICTURED

MATERIALS & FINISHES

Top: Bird Eye wood veneer with matt finishing.
Footer: Brushed Brass.

DIMENSIONS

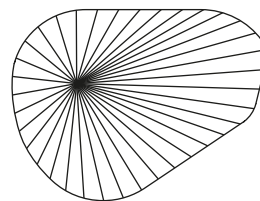
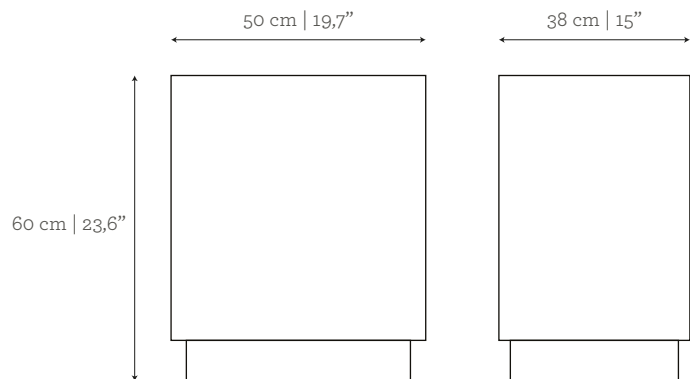
W: 50 cm | 19,7"
 D: 38 cm | 15"
 H: 60 cm | 23,6"

CUSTOM/BESPOKE

This product is suitable for custom size.
 Range between:
 W: 40 cm | 15,7" - 260 cm | 102,4"
 D: 40 cm | 15,7" - 260 cm | 102,4"
 H: 20 cm | 7,9" - 70 cm | 27,6"

ENVIRONMENT

This product is made for living areas in interior spaces only. This product is not specified for bathrooms, spa's or humid environments. Not suitable for exteriors.



VOLUME

0,11 m³ | 3,88 ft³

WEIGHT

17 kg | 37,5 lbs

Packed (in wooden case)

0,15 m³ | 5,30 ft³

20 kg | 44,1 lbs

GINGER & JAGGER

PRODUCT OPTIONS

Cerne | 60 Side Table

MATERIALS & FINISHES

Top and Base: Bird Eye, American Walnut, Miosotis, Night Jungle, Ebony, Amara Ebony or Olive Ash with matt or gloss finishing.

Ring: Brass, Nickel or Copper plate in polished, brushed or antique finishing.

Top and Base:



BIRD EYE



AMERICAN WALNUT



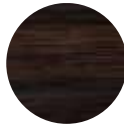
MIOSOTIS



NIGHT JUNGLE



EBONY



AMARA EBONY



OLIVE ASH

Ring:



BRASS
Polished



BRASS
Brushed



BRASS
Antique



NICKEL
Polished



NICKEL
Brushed



NICKEL
Antique



COPPER
Polished



COPPER
Brushed



COPPER
Antique



Cerne | 45 Side Table

The Cerne is born from the very heart of trees, with their concentric rings conveying evolution over time and the passing of seasons within each layer. The elegant wood veneer surfaces have been applied using the marquetry technique, with their contours accentuated by a delicate metal footer.

AS PICTURED

MATERIALS & FINISHES

Top: Bird Eye wood veneer with matt finishing.
Footer: Brushed Brass.

DIMENSIONS

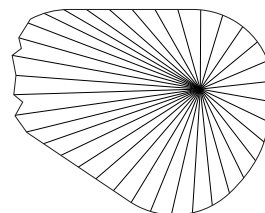
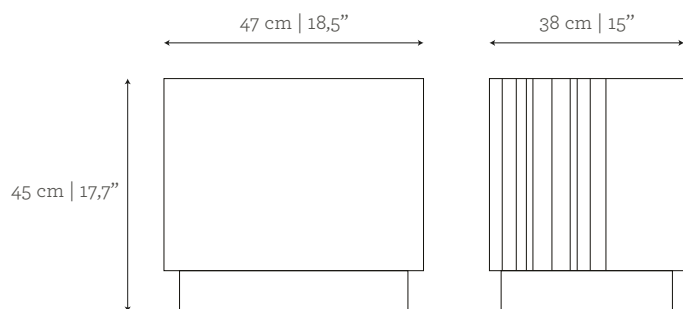
W: 47 cm | 18,5"
 D: 38 cm | 15"
 H: 45 cm | 17,7"

CUSTOM/BESPOKE

This product is suitable for custom size.
 Range between:
 W: 40 cm | 15,7" - 260 cm | 102,4"
 D: 40 cm | 15,7" - 260 cm | 102,4"
 H: 20 cm | 7,9" - 70 cm | 27,6"

ENVIRONMENT

This product is made for living areas in interior spaces only. This product is not specified for bathrooms, spa's or humid environments. Not suitable for exteriors.



VOLUME

0,08 m³ | 2,83 ft³

WEIGHT

14 kg | 30,9 lbs

Packed (in wooden case)

0,12 m³ | 4,24 ft³

16,5 kg | 36,4 lbs

GINGER & JAGGER

PRODUCT OPTIONS

Cerne | 45 Side Table

MATERIALS & FINISHES

Top and Base: Bird Eye, American Walnut, Miosotis, Night Jungle, Ebony, Amara Ebony or Olive Ash with matt or gloss finishing.

Ring: Brass, Nickel or Copper plate in polished, brushed or antique finishing.

Top and Base:



BIRD EYE



AMERICAN WALNUT



MIOSOTIS



NIGHT JUNGLE



EBONY



AMARA EBONY



OLIVE ASH

Ring:



BRASS
Polished



BRASS
Brushed



BRASS
Antique



NICKEL
Polished



NICKEL
Brushed



NICKEL
Antique



COPPER
Polished



COPPER
Brushed



COPPER
Antique