



## *Dolmen* | Console

This minimalistic, albeit intricate, piece is handcrafted in marble. Its form is reminiscent of megalithic monuments, portals to an evocative poetic realm, here captured by the seemingly counterintuitive geometry and sculptural shape.

### AS PICTURED

#### MATERIALS & FINISHES

**Body:** Negro Marquina marble in honed finishing.

#### DIMENSIONS

W: 160 cm | 63"  
D: 50 cm | 19,7"  
H: 87 cm | 34,3"

#### CUSTOM/BESPOKE

This product is suitable for custom size.

Range between:

W 140 cm | 55,1" - 180 cm | 70,9"

D 50 cm | 19,7" - 65 cm | 25,6"

H 40 cm | 15,7" - 87 cm | 34,3"

#### ENVIRONMENT

This product is made for living areas in interior spaces only. This product is not specified for bathrooms, spa's or humid environments. Not suitable for exteriors.

#### VOLUME

0,70 m<sup>3</sup> | 24,72 ft<sup>3</sup>

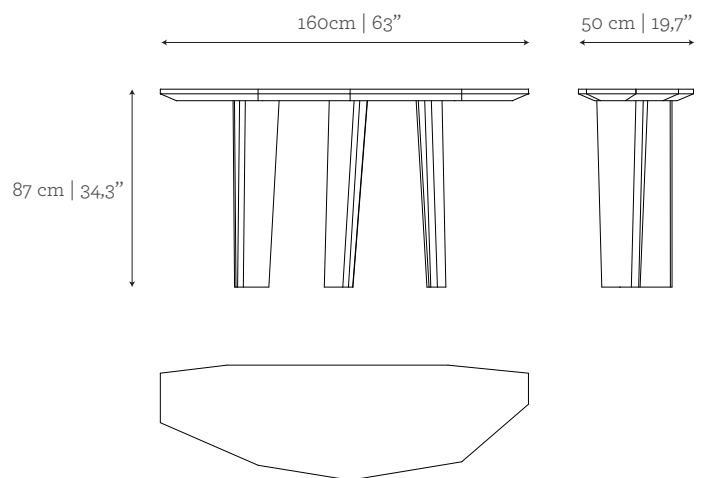
#### WEIGHT

185 Kg | 407,8 lbs

#### Packed (in wooden case)

1,29 m<sup>3</sup> | 45,55 ft<sup>3</sup>

285 Kg | 628,3 lbs



# GINGER & JAGGER

## PRODUCT OPTIONS

Dolmen | Console

### MATERIALS & FINISHES

**Body:** Lacquer in all RAL colours with matt or gloss finishing.

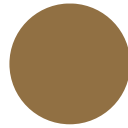
#### Lacquer



**CREAM**  
NCS S  
1010 - Y20R



**STONE**  
NCS S  
2005 - Y30R



**OLIVE GREEN**  
NCS S  
6020 - Y10R



**GREEN MOSS**  
RAL 7003



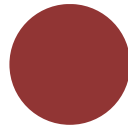
**GREEN**  
RAL 6009



**LAVENDER**  
NCS S  
3010 - R



**CHERRY**  
RAL 3005



**CORAL**  
NCS S  
4050 - Y90R



**MIOSOTIS**  
NCS S  
3010 - B70G



**NIGHT JUNGLE**  
NCS S  
8502 - G

#### Marble



**CARRARA**  
Polished or  
Honed



**NEGRO MARQUINA**  
Polished or  
Honed

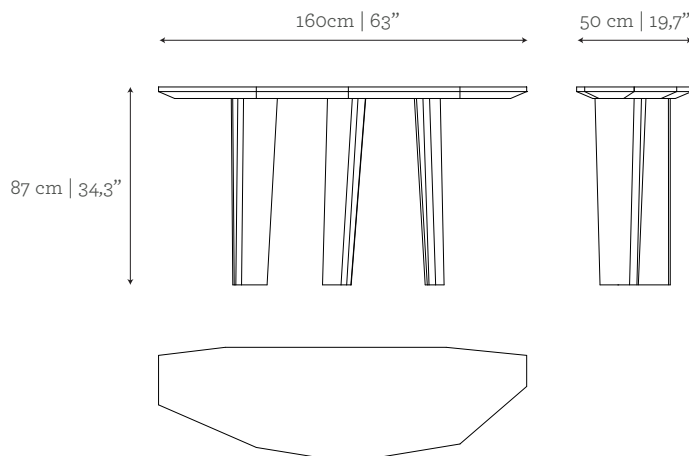


**ESTREMOZ**  
Polished or  
Honed



**ESTREMOZ ROSE**  
Polished or  
Honed

### LACQUERED VERSION



#### VOLUME

0,70 m<sup>3</sup> | 24,72 ft<sup>3</sup>

#### Packed (in wooden case)

1,29 m<sup>3</sup> | 45,55 ft<sup>3</sup>

#### WEIGHT

130 Kg | 286,6 lbs

235 Kg | 518 lbs