



Fig Tree | Console

The Fig Tree Console is a tribute to Nature's graciousness. The legs are made from fig tree branches in brass casting mold. The lacquered top has two drawers with purpleheart wood veneer lined with a subtle metal rim.

AS PICTURED

MATERIALS & FINISHES

Top: Lacquered in Stone in matt; drawer in purpleheart wood veneer in matt, drawer rim in Polished Brass; legs in cast Brass in Brass finishing.

Legs: Cast brass with brass finishing.

DIMENSIONS

W: 160 cm | 63"

D: 48 cm | 18,9"

H: 90 cm | 35,4"

CUSTOM/BESPOKE

W 95cm | 37,4" - 250cm | 98,5" ;

D 38cm | 15" - 60cm | 23,6";

H not customizable. The legs are not customizable.

ENVIRONMENT

This product is made for living areas in interior spaces only. This product is not specified for bathrooms, spa's or humid environments. Not suitable for exteriors.

VOLUME

0,70 m³ | 24,72 ft³

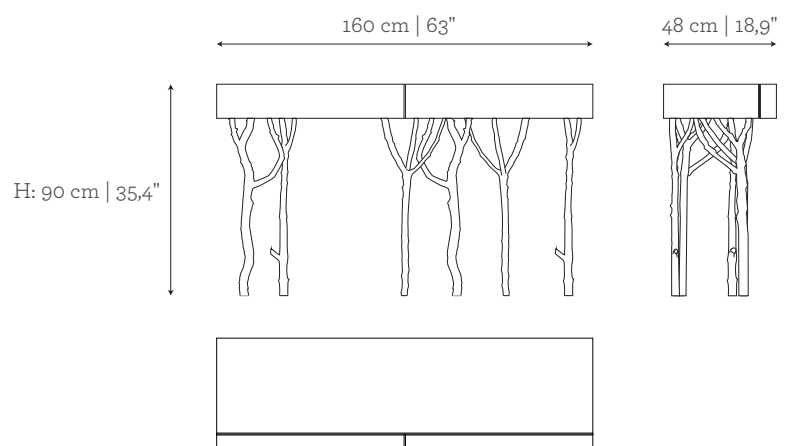
WEIGHT

76 Kg / 29,9 lbs

Packed (in wooden case)

1,18 m³ | 41,67 ft³

180 Kg / 70,9 lbs



GINGER & JAGGER

PRODUCT OPTIONS

Fig Tree | Console

MATERIALS & FINISHES

Top: Lacquered in all RAL colours with matt or gloss finishing.

Drawer Rim: Brass, Nickel or Copper plate in Polished, Brushed or Antique finishing.

Legs: Brass, Antique Brass, Silver, Antique Silver, Copper or Antique Copper.

Top:



CREAM
NCS S
1010 - Y20R



STONE
NCS S
2005 - Y30R



OLIVE GREEN
NCS S
6020 - Y10R



GREEN MOSS
RAL 7003



GREEN
RAL 6009



LAVENDER
NCS S
3010 - R



CHERRY
RAL 3005



CORAL
NCS S
4050 - Y90R



MIOSOTIS
NCS S
3010 - B70G



NIGHT JUNGLE
NCS S
8502 - G

Drawer Rim:



BRASS
Polished



BRASS
Brushed



BRASS
Antique



NICKEL
Polished



NICKEL
Brushed



NICKEL
Antique



COPPER
Polished



COPPER
Brushed



COPPER
Antique

Legs:



BRASS
Brass



ANTIQU BRASS
Brass with patina



SILVER
Brass with
silver leaf



ANTIQU SILVER
Brass with silver
leaf and patina



COPPER
Brass with
copper leaf



ANTIQU COPPER
Brass with copper
leaf and patina