



Fossil | Console

Fossils are testaments of the passing of millennia, geological mementos of the cycles of life. The Fossil Console is a tribute to this natural mechanism of the Earth, with its layered features and coalescence of materials. The design is harmonious and creates an organized atmosphere, standing in a remarkable balance as a standalone statement piece, or next to a wall.

AS PICTURED

MATERIALS & FINISHES

Body: Romano Travertine stone in natural finishing

Metal Details: Brushed Brass

Version: Right.

DIMENSIONS

W: 161 cm | 63,4"

D: 50 cm | 19,7"

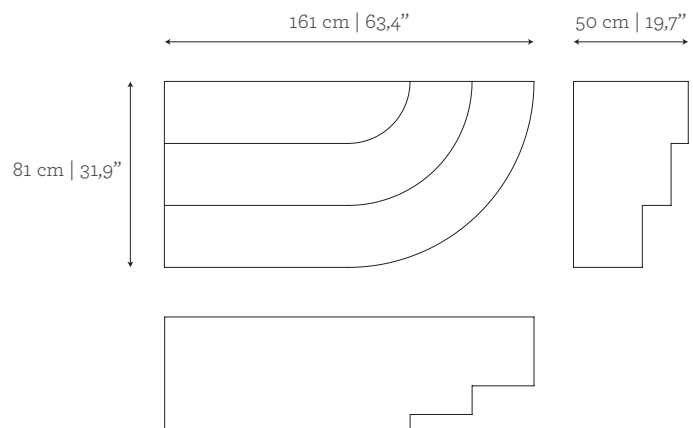
H: 81 cm | 31,9"

CUSTOM/BESPOKE

This product is not suitable for customization.

ENVIRONMENT

This product is made for living areas in interior spaces only. This product is not specified for bathrooms, spa's or humid environments. Not suitable for exteriors.



VOLUME

0,65 m³ | 22,95 ft³

WEIGHT

170 kg | 374,8 lbs

Packed (in wooden case)

1,23 m³ | 43,42 ft³

285 kg | 628,3 lbs

GINGER & JAGGER

PRODUCT OPTIONS

Fossil | Console

MATERIALS & FINISHES

Body: Carrara, Negro Marquina, Estremoz, Estremoz Rose, Guatemala Green or Rosso Lepanto marble in polished or honed finishing; or Romano Travertine in natural finishing.

Metal Details: Brass, Nickel or Copper plate in polished, brushed or antique finishing.

Body:



CARRARA
Polished
or Honed



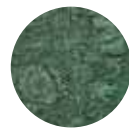
**NEGRO
MARQUINA**
Polished
or Honed



ESTREMOZ
Polished
or Honed



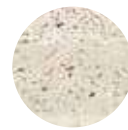
**ESTREMOZ
ROSE**
Polished
or Honed



**GREEN
GUATEMALA**
Polished
or Honed



**ROSSO
LEPANTO**
Polished
or Honed



**ROMANO
TRAVERTINE**
Natural

Metal Details:



BRASS
Polished



BRASS
Brushed



BRASS
Antique



NICKEL
Polished



NICKEL
Brushed



NICKEL
Antique



COPPER
Polished

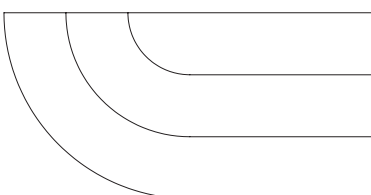


COPPER
Brushed

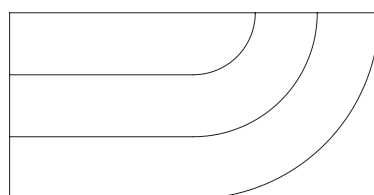


COPPER
Antique

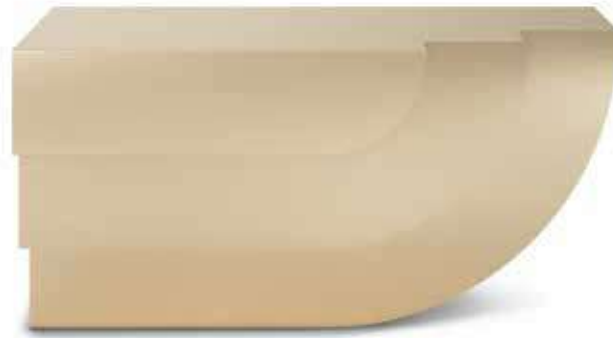
CONSOLE VERSION



Left



Right



Fossil | Metal Console

Fossils are testaments of the passing of millennia, geological mementos of the cycles of life. The Fossil Console is a tribute to this natural mechanism of the Earth, with its layered features and coalescence of materials. The design is harmonious and creates an organized atmosphere, standing in a remarkable balance as a standalone statement piece, or next to a wall.

AS PICTURED

MATERIALS & FINISHES

Body: Brushed Brass

Version: Right

DIMENSIONS

W: 161 cm | 63,4"

D: 50 cm | 19,7"

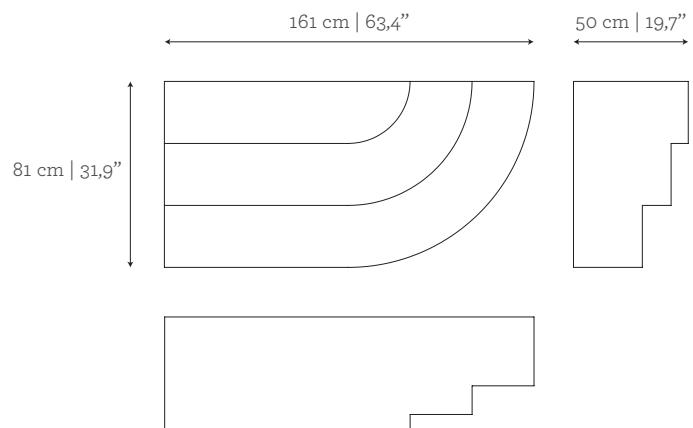
H: 81 cm | 31,9"

CUSTOM/BESPOKE

This product is not suitable for customization.

ENVIRONMENT

This product is made for living areas in interior spaces only. This product is not specified for bathrooms, spa's or humid environments. Not suitable for exteriors.



VOLUME

0,65 m³ | 22,95 ft³

WEIGHT

130 kg | 296,6 lbs

Packed (in wooden case)

1,23 m³ | 43,42 ft³

245 kg | 540,1 lbs

MATERIALS & FINISHES

Body: Brass, Nickel or Copper plate in polished, brushed or antique finishing.



BRASS
Polished



BRASS
Brushed



BRASS
Antique



NICKEL
Polished



NICKEL
Brushed



NICKEL
Antique



COPPER
Polished

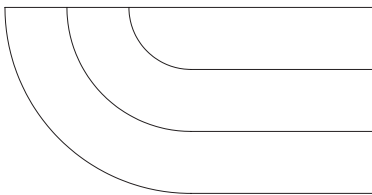


COPPER
Brushed

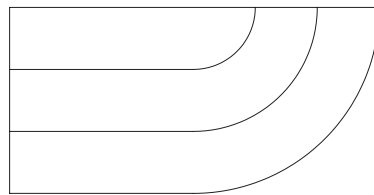


COPPER
Antique

CONSOLE VERSION



Left



Right



Fossil | Wood Console

Fossils are testaments of the passing of millennia, geological mementos of the cycles of life. The Fossil Console is a tribute to this natural mechanism of the Earth, with its layered features and coalescence of materials. The design is harmonious and creates an organized atmosphere, standing in a remarkable balance as a standalone statement piece, or next to a wall.

AS PICTURED

MATERIALS & FINISHES

Body: Amara Ebony veneer with matt finishing

Version: Right

DIMENSIONS

W: 161 cm | 63,4"

D: 50 cm | 19,7"

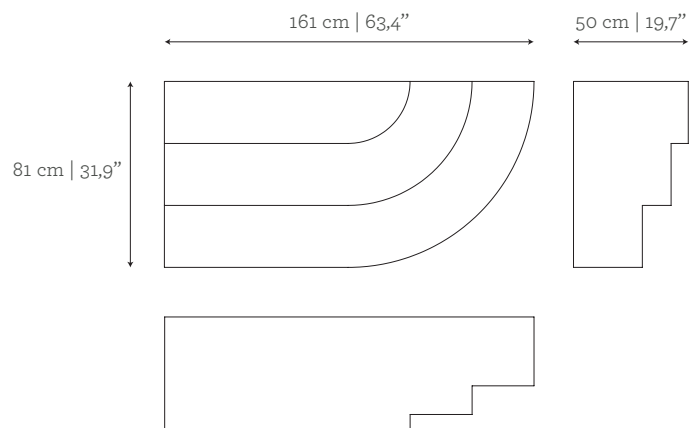
H: 81 cm | 31,9"

CUSTOM/BESPOKE

This product is not suitable for customization.

ENVIRONMENT

This product is made for living areas in interior spaces only. This product is not specified for bathrooms, spa's or humid environments. Not suitable for exteriors.



VOLUME

0,65 m³ | 22,95 ft³

WEIGHT

110 kg | 242,5 lbs

Packed (in wooden case)

1,23 m³ | 43,42 ft³

225 kg | 496 lbs

PRODUCT OPTIONS

Fossil | Wood Console

MATERIALS & FINISHES

Body: Bird Eye, Stone Bird Eye, American Walnut, Miosotis, Night Jungle, Ebony, Amara Ebony or Olive Ash wood veneer with matt or gloss finishing.



BIRD EYE



STONE
BIRD EYE



AMERICAN
WALNUT



MIOSOTIS



NIGHT
JUNGLE



EBONY

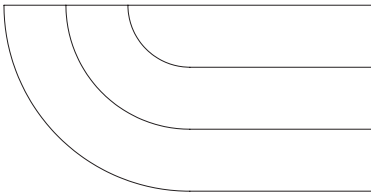


AMARA
EBONY

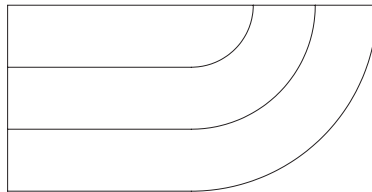


OLIVE ASH

CONSOLE VERSION



Left



Right



Fossil | Lacquered Console

Fossils are testaments of the passing of millennia, geological mementos of the cycles of life. The Fossil Console is a tribute to this natural mechanism of the Earth, with its layered features and coalescence of materials. The design is harmonious and creates an organized atmosphere, standing in a remarkable balance as a standalone statement piece, or next to a wall.

AS PICTURED

MATERIALS & FINISHES

Body: Lacquered in Green Moss in matt finishing

Version: Right

DIMENSIONS

W: 161 cm | 63,4"

D: 50 cm | 19,7"

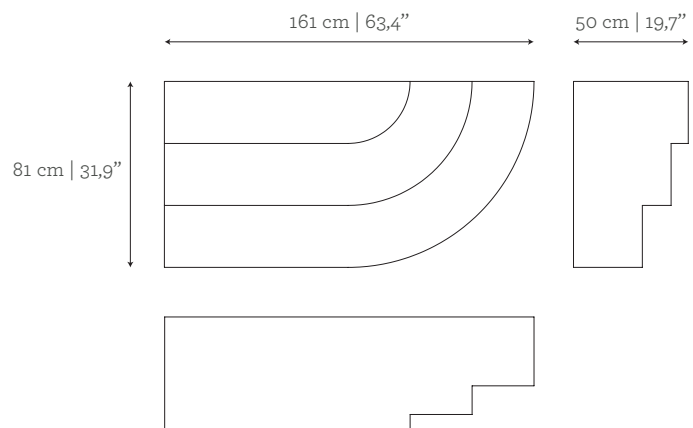
H: 81 cm | 31,9"

CUSTOM/BESPOKE

This product is not suitable for customization.

ENVIRONMENT

This product is made for living areas in interior spaces only. This product is not specified for bathrooms, spa's or humid environments. Not suitable for exteriors.



VOLUME

0,65 m³ | 22,95 ft³

WEIGHT

110 kg | 242,5 lbs

Packed (in wooden case)

1,23 m³ | 43,42 ft³

225 kg | 496 lbs

PRODUCT OPTIONS

Fossil | Lacquered Console

MATERIALS & FINISHES

Body: Lacquered in all RAL colors in matt or gloss finishing.



CREAM
NCS S
1010 - Y20R



STONE
NCS S
2005 - Y30R



OLIVE GREEN
NCS S
6020 - Y10R



GREEN MOSS
RAL 7003



SAGE
NCS S
7010 - G50Y



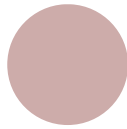
GREEN
RAL 6009



ULTRAMARINE
RAL 5010



SKY
NCS S
2020 - R80B



LAVENDER
NCS S
3010 - R



CHERRY
RAL 3005



CORAL
NCS S
4050 - Y90R

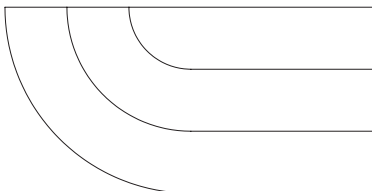


MIOSOTIS
NCS S
3010 - B70G

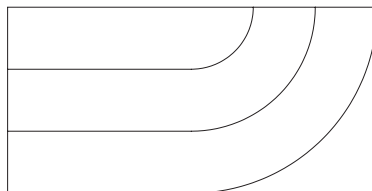


NIGHT JUNGLE
NCS S
8502 - G

CONSOLE VERSION



Left



Right