



Halo | Console

The Halo Console is inspired by the perpetual force of the ocean. Its hand hammered brass structure encapsulates the movement of waves, while the clear acrylic top symbolizes the purity of water.

AS PICTURED

MATERIALS & FINISHES

Top: Crystal Acrylic

Base: Round Bar Harvest Hammered Brass.

DIMENSIONS

W: 140 cm | 55,1"

D: 38 cm | 15"

H: 84 cm | 33,1"

CUSTOM/BESPOKE

Suitable for custom size. Range between:

W: 100 cm | 39,4" - 140 cm | 55,1"

D: 38 cm | 15" - 50 cm | 19,7"

H: 60 cm | 23,6" - 90 cm | 35,4"

ENVIRONMENT

This product is made for living areas in interior spaces only. This product is not specified for bathrooms, spa's or humid environments. Not suitable for exteriors.

VOLUME

0,45 m³ | 16 ft³

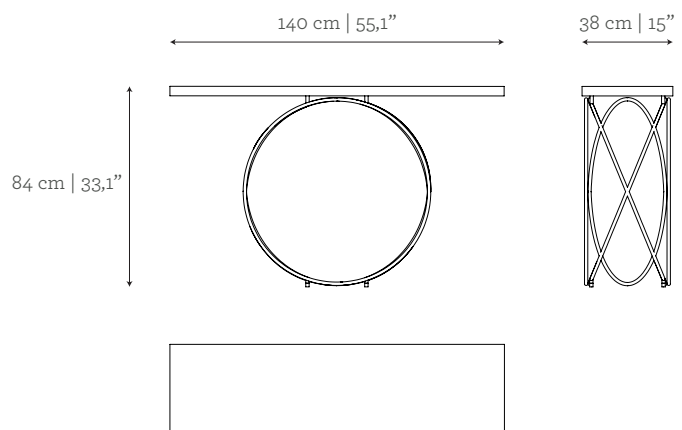
WEIGHT

58 kg | 127,9 lbs

Packed (in wooden case)

0,67 m³ | 23,66 ft³

90 kg | 198,4 lbs



PRODUCT OPTIONS

Halo | Console

MATERIALS & FINISHES

Top: Crystal Acrylic or lacquered in all RAL colours with matt or gloss finishing.

Base: Round Bar Harvest Hammered Brass.

Top:

Acrylic



CLEAR

Lacquer



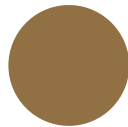
CREAM

NCS S
1010 - Y20R



STONE

NCS S
2005 - Y30R



OLIVE GREEN

NCS S
6020 - Y10R



GREEN MOSS

RAL 7003



GREEN

RAL 6009



LAVENDER

NCS S
3010 - R



CHERRY

RAL 3005



CORAL

NCS S
4050 - Y90R



MIOSOTIS

NCS S
3010 - B70G



NIGHT JUNGLE

NCS S
8502 - G

Base:



BRASS

Metal Round Bar