



## Peninsula | Dining Table

The Peninsula is a functional oval top dining table designed to be the protagonist of a space. Boldly proportioned, the design is different depending on the point of view, and creates a conversation between different materials. Seating six people, the Peninsula is a sculptural presence where life is to be celebrated and experienced in communion.

### AS PICTURED

#### MATERIALS & FINISHES

**Top:** Carrara marble in polished finishing

**Legs:**

**A:** Lacquered in Ultramarine in gloss finishing

**B:** Amara Ebony with gloss finishing

**C:** Carrara marble in polished finishing

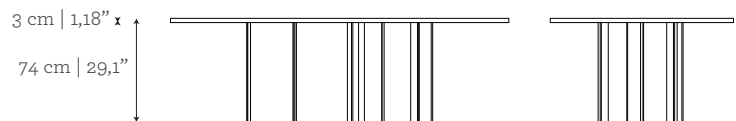
**D:** Antique Brass

#### DIMENSIONS

W: 240 cm | 94,5"

D: 130 cm | 51,2"

H: 74 cm | 29,1"

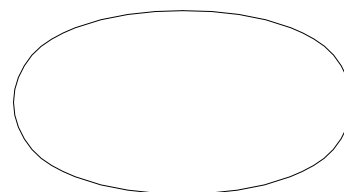


#### CUSTOM/BESPOKE

This product is not suitable for customization.

#### ENVIRONMENT

This product is made for living areas in interior spaces only. This product is not specified for bathrooms, spa's or humid environments. Not suitable for exteriors.



#### VOLUME

2,3 m<sup>3</sup> | 81,22 ft<sup>3</sup>

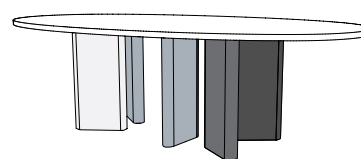
#### WEIGHT

350 kg | 771,6 lbs

#### Packed (in 2 wooden cases)

4,3 m<sup>3</sup> | 152,9 ft<sup>3</sup>

500 kg | 1102,3 lbs



- Leg A
- Legs B
- Leg C
- Leg D

# GINGER & JAGGER

## PRODUCT OPTIONS

Peninsula | Dining Table

### MATERIALS & FINISHES

**Top:** Carrara, Negro Marquina, Estremoz, Estremoz Rose, Guatemala Green or Rosso Lepanto marble in polished finishing.

#### Legs:

**A:** Lacquered in all RAL colours in matt or gloss finishing.

**B:** Bird Eye, Stone Bird Eye, American Walnut, Miosotis, Night Jungle, Ebony, Amara Ebony or Olive Ash wood veneer with matt or gloss finishing.

**C:** Carrara, Negro Marquina, Estremoz, Estremoz Rose, Guatemala Green or Rosso Lepanto marble in polished finishing.

**D:** Brass, Nickel or Copper plate in polished, brushed or antique finishing.

#### Top:



**CARRARA**  
Polished



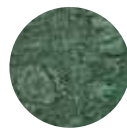
**NEGRO  
MARQUINA**  
Polished



**ESTREMOZ**  
Polished



**ESTREMOZ  
ROSE**  
Polished



**GREEN  
GUATEMALA**  
Polished



**ROSSO  
LEPANTO**  
Polished

#### Legs:

##### A



**CREAM**  
NCS S  
1010 - Y20R



**STONE**  
NCS S  
2005 - Y30R



**OLIVE GREEN**  
NCS S  
6020 - Y10R



**GREEN MOSS**  
RAL 7003



**SAGE**  
NCS S  
7010 - G50Y



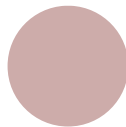
**GREEN**  
RAL 6009



**ULTRAMARINE**  
RAL 5010



**SKY**  
NCS S  
2020 - R80B



**LAVENDER**  
NCS S  
3010 - R



**CHERRY**  
RAL 3005



**CORAL**  
NCS S  
4050 - Y90R



**MIOSOTIS**  
NCS S  
3010 - B70G



**NIGHT JUNGLE**  
NCS S  
8502 - G

# GINGER & JAGGER

PRODUCT OPTIONS

Peninsula | Dining Table

B



BIRD EYE



STONE  
BIRD EYE



AMERICAN  
WALNUT



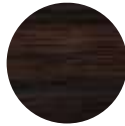
MIOSOTIS



NIGHT  
JUNGLE



EBONY



AMARA  
EBONY



OLIVE ASH

C



CARRARA  
Polished



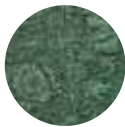
NEGRO  
MARQUINA  
Polished



ESTREMOZ  
Polished



ESTREMOZ  
ROSE  
Polished



GREEN  
GUATEMALA  
Polished



ROSSO  
LEPANTO  
Polished

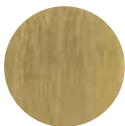
D



BRASS  
Polished



BRASS  
Brushed



BRASS  
Antique



NICKEL  
Polished



NICKEL  
Brushed



NICKEL  
Antique



COPPER  
Polished



COPPER  
Brushed



COPPER  
Antique



## Peninsula | Lacquered Dining Table

The Peninsula is a functional oval top dining table designed to be the protagonist of a space. Boldly proportioned, the design is different depending on the point of view, and creates a conversation between different materials. Seating six people, the Peninsula is a sculptural presence where life is to be celebrated and experienced in communion.

### AS PICTURED

#### MATERIALS & FINISHES

**Body:** Lacquered in Ultramarine in gloss finishing

#### DIMENSIONS

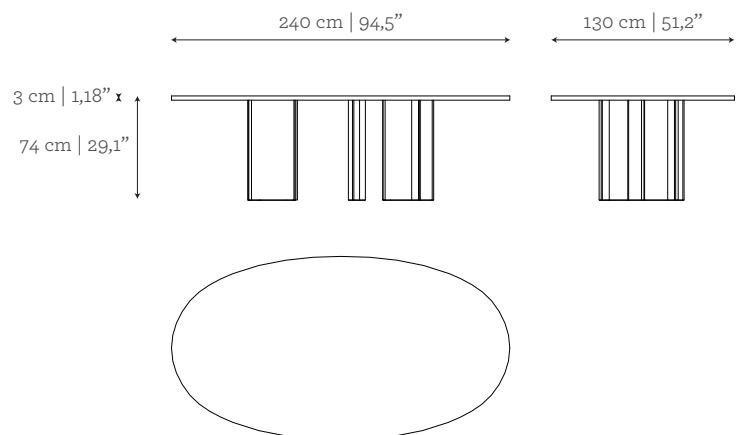
W: 240 cm | 94,5"  
D: 130 cm | 51,2"  
H: 74 cm | 29,1"

#### CUSTOM/BESPOKE

This product is not suitable for customization.

#### ENVIRONMENT

This product is made for living areas in interior spaces only. This product is not specified for bathrooms, spa's or humid environments. Not suitable for exteriors.



#### VOLUME

2,3 m<sup>3</sup> | 81,22 ft<sup>3</sup>

#### WEIGHT

120 kg | 265,6 lbs

#### Packed (in 2 wooden cases)

4,3 m<sup>3</sup> | 152,9 ft<sup>3</sup>

350 kg | 771,6 lbs

## PRODUCT OPTIONS

Peninsula | Lacquered Dining Table

### MATERIALS & FINISHES

**Body:** Lacquered in all RAL colors in matt or gloss finishing.



**CREAM**  
NCS S  
1010 - Y20R



**STONE**  
NCS S  
2005 - Y30R



**OLIVE GREEN**  
NCS S  
6020 - Y10R



**GREEN MOSS**  
RAL 7003



**SAGE**  
NCS S  
7010 - G50Y



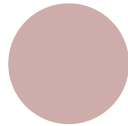
**GREEN**  
RAL 6009



**ULTRAMARINE**  
RAL 5010



**SKY**  
NCS S  
2020 - R80B



**LAVENDER**  
NCS S  
3010 - R



**CHERRY**  
RAL 3005



**CORAL**  
NCS S  
4050 - Y90R



**MIOSOTIS**  
NCS S  
3010 - B70G



**NIGHT JUNGLE**  
NCS S  
8502 - G



## Peninsula | Marble Dining Table

The Peninsula is a functional oval top dining table designed to be the protagonist of a space. Boldly proportioned, the design is different depending on the point of view, and creates a conversation between different materials. Seating six people, the Peninsula is a sculptural presence where life is to be celebrated and experienced in communion.

### AS PICTURED

#### MATERIALS & FINISHES

**Body:** Carrara marble in polished finishing

#### DIMENSIONS

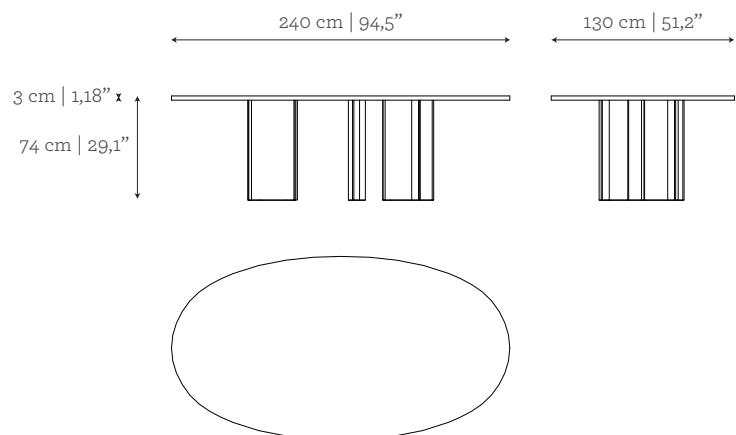
W: 240 cm | 94,5"  
D: 130 cm | 51,2"  
H: 74 cm | 29,1"

#### CUSTOM/BESPOKE

This product is not suitable for customization.

#### ENVIRONMENT

This product is made for living areas in interior spaces only. This product is not specified for bathrooms, spa's or humid environments. Not suitable for exteriors.



#### VOLUME

2,3 m<sup>3</sup> | 81,22 ft<sup>3</sup>

#### WEIGHT

500 kg | 1102,3 lbs

#### Packed (in 2 wooden cases)

4,3 m<sup>3</sup> | 152,9 ft<sup>3</sup>

650 kg | 1433 lbs

### MATERIALS & FINISHES

**Body:** Carrara, Negro Marquina, Estremoz, Estremoz Rose, Guatemala Green or Rosso Lepanto marble in polished finishing.



**CARRARA**  
Polished



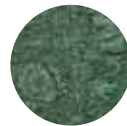
**NEGRO  
MARQUINA**  
Polished



**ESTREMOZ**  
Polished



**ESTREMOZ  
ROSE**  
Polished



**GREEN  
GUATEMALA**  
Polished



**ROSSO  
LEPANTO**  
Polished



## Peninsula | Wood Dining Table

The Peninsula is a functional oval top dining table designed to be the protagonist of a space. Boldly proportioned, the design is different depending on the point of view, and creates a conversation between different materials. Seating six people, the Peninsula is a sculptural presence where life is to be celebrated and experienced in communion.

### AS PICTURED

#### MATERIALS & FINISHES

**Body:** Amara Ebony in gloss finishing.

#### DIMENSIONS

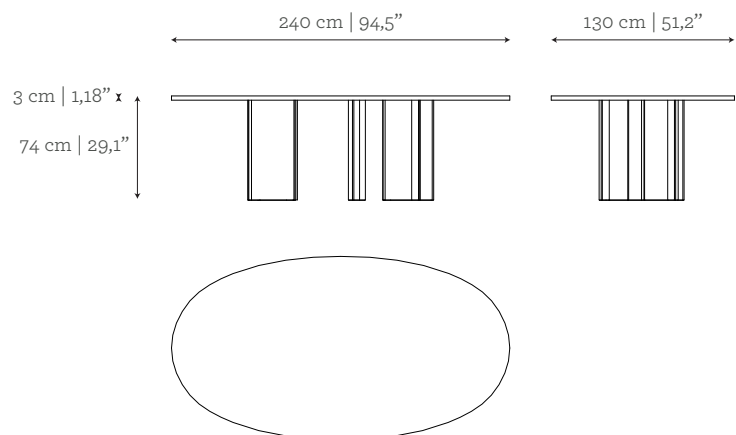
W: 240 cm | 94,5"  
D: 130 cm | 51,2"  
H: 74 cm | 29,1"

#### CUSTOM/BESPOKE

This product is not suitable for customization.

#### ENVIRONMENT

This product is made for living areas in interior spaces only. This product is not specified for bathrooms, spa's or humid environments. Not suitable for exteriors.



#### VOLUME

2,3 m<sup>3</sup> | 81,22 ft<sup>3</sup>

#### WEIGHT

120 kg | 265,6 lbs

#### Packed (in 2 wooden cases)

4,3 m<sup>3</sup> | 152,9 ft<sup>3</sup>

350 kg | 771,6 lbs



## MATERIALS & FINISHES

**Body:** Bird Eye, Stone Bird Eye, American Walnut, Miosotis, Night Jungle, Ebony, Amara Ebony or Olive Ash wood veneer with matt or gloss finishing.



BIRD EYE



STONE  
BIRD EYE



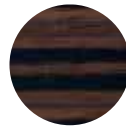
AMERICAN  
WALNUT



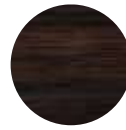
MIOSOTIS



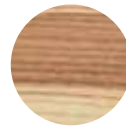
NIGHT  
JUNGLE



EBONY



AMARA  
EBONY



OLIVE ASH