



Solstice | Limited Edition Mirror

The Solstice Mirror captures an ethereal moment of alignment, a fraction of time when the Sun shines the brightest, and the longest. The metal is like the Earth, in an instance of stillness, embracing the mirror. Evocative, detached from unnecessary complexity, the Solstice is in essence a celebration all the everlasting elements that surround us – time, matter, light – and of oneself, reflected.

AS PICTURED

MATERIALS & FINISHES

Frame: Brushed Nickel.
Metal Sections: Polished Nickel.
Mirror: Smokey finishing.

DIMENSIONS

W: 122 cm | 48"
 D: 7,4 cm | 2,9"
 H: 180 cm | 70,9"

LIMITED EDITION

Limited Edition of 60 units, numbered and signed by Paula Sousa, Ginger & Jagger's Founder and Creative Director.

CUSTOM/BESPOKE

This product is not suitable for customization.

ENVIRONMENT

This product is made for living areas in interior spaces only. This product is not specified for bathrooms, spa's or humid environments. Not suitable for exteriors.

VOLUME

0,16 m³ | 5,65 ft³

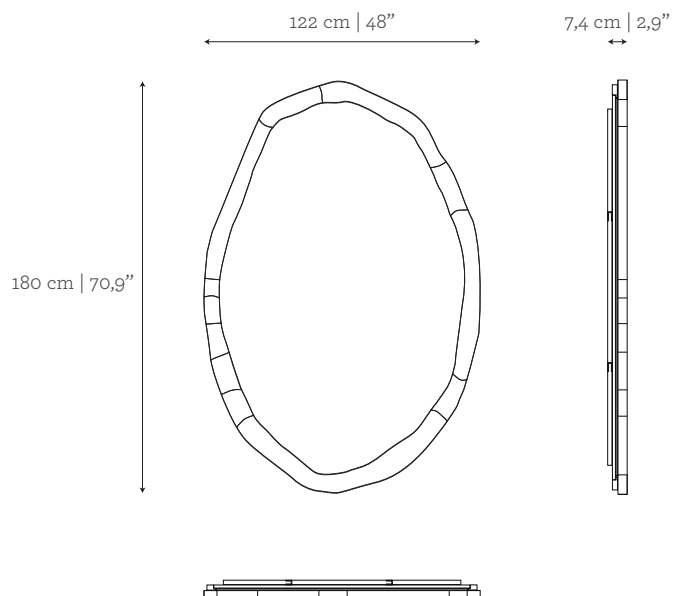
WEIGHT

80 kg | 176,4 lbs

Packed (in wooden case)

0,32 m³ | 11,30 ft³

145 kg | 319,7 lbs



PRODUCT OPTIONS

Solstice | Limited Edition Mirror

MATERIALS & FINISHES

Frame: Brushed Nickel.

Metal Sections: Polished Nickel.

Mirror: Smokey finishing.

Frame:



NICKEL
Brushed

Metal Sections:



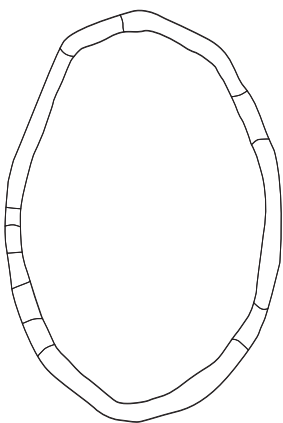
NICKEL
Polished

Mirror:

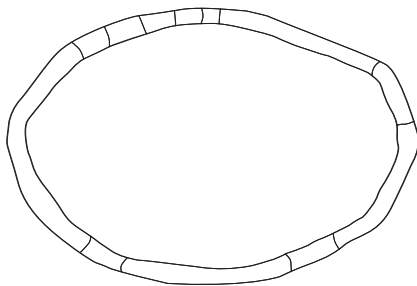


SMOKEY

MIRROR VERSION



Vertical



Horizontal