



Bananas | Suspension Lamp

Bananas brings to life the banana tree, with its elongated curved shape hosting hand-turned brass leaves. Each leaf is connected to a separate lighting tube and features a uniquely chiseled texture, allowing the leaves to seamlessly float while light that is both reflected and diffused along the surfaces, culminating in a stand out piece for any living space.

AS PICTURED

MATERIALS & FINISHES

Exterior of the Leaves: Chiseled Brass.
Interior of the Leaves: Polished Brass.
Metal details: Brushed Brass.

BULBS & VOLTAGE

24 x G4 LED, 3W 2700K 130lm | 12V
EU & UK - Bulbs and sockets included;
USA - Wiring, bulbs and sockets not included;
Non-EU requirements - Please send an email to info@gingerandjagger.com

LIGHT CONTROL OPTIONS

Dimmer compatible.
 DALI controller system available (upcharge over retail price), upon request.

CUSTOM/BESPOKE

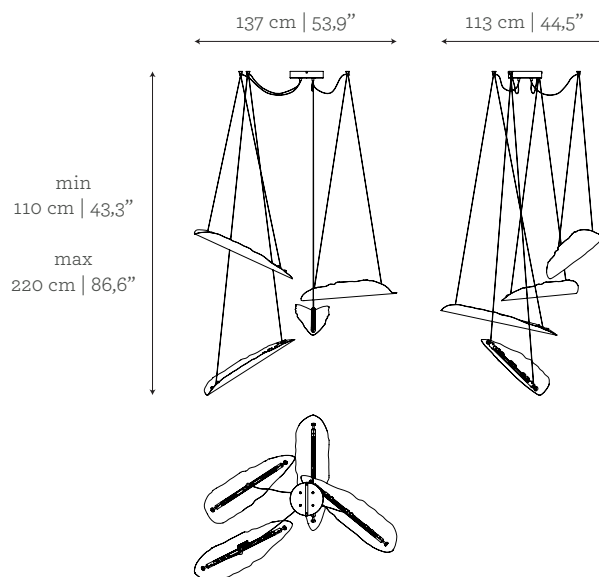
This product is not suitable for customization.

ENVIRONMENT

This product is made for living areas in interior spaces only. This product is not specified for bathrooms, spa's or humid environments. Not suitable for exteriors.

DIMENSIONS

W: 137 cm | 53,9"
 D: 113 cm | 44,5"
 H: Customizable



VOLUME

3,41 m³ | 120,42 ft³

Packed (in wooden case)

0,08 m³ | 2,83 ft³

WEIGHT

20 kg | 44,1 lbs

40 kg | 88,2 lbs

PRODUCT OPTIONS

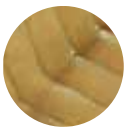
Bananas | Suspension Lamp

MATERIALS & FINISHES

Exterior of the Leaves: Brass, Nickel or Copper plate in chiseled finishing.

Interior of the Leaves & Metal details: Brass, Nickel or Copper plate in polished, brushed or antique finishing.

Exterior of the Leaves:



BRASS
Chiseled



NICKEL
Chiseled



COPPER
Chiseled

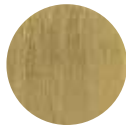
Interior of the Leaves and Metal details:



BRASS
Polished



BRASS
Brushed



BRASS
Antique



NICKEL
Polished



NICKEL
Brushed



NICKEL
Antique



COPPER
Polished



COPPER
Brushed



COPPER
Antique

LIGHT DIRECTION

