



Bond | Wall Lamp

Light is harbored by the Bloom Wall Lamp much like a flower's core is kept by its leaves. Its layered composition originates a soothing continuity effect between the direction of the light and the shape of the metal lampshades.

AS PICTURED

MATERIALS & FINISHES

Front lampshade: Brushed Hammered Brass.

Back lampshade: Antique Brass.

BULBS & VOLTAGE

2 x E27 LED Dimmable, 4W 2700K 470lm | 230V

EU & UK - Bulbs and sockets included;

USA - Wiring, bulbs and sockets not included;

Non-EU requirements - Please send an email to info@gingerandjagger.com

LIGHT CONTROL OPTIONS

Dimmer compatible.

DALI controller system available

(upcharge over retail price), upon request.

CUSTOM/BESPOKE

This product is suitable for custom size. Range between:

W: 25 cm | 9,8" - 60 cm | 23,6"

D: 18 cm | 7,1" - 25 cm | 9,8"

H: 45 cm | 17,7" - 100 cm | 39,4"

ENVIRONMENT

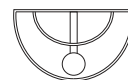
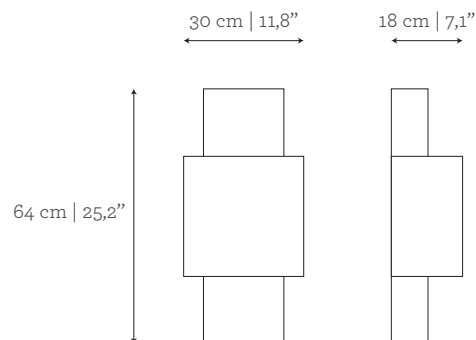
This product is made for living areas in interior spaces only. This product is not specified for bathrooms, spa's or humid environments. Not suitable for exteriors.

DIMENSIONS

W: 30 cm | 11,8"

D: 18 cm | 7,1"

H: 64 cm | 25,2"



VOLUME

0,03 m³ | 1,06 ft³

Packed (in reinforced carton case)

0,09 m³ | 3,18 ft³

WEIGHT

3 kg | 6,6 lbs

6 kg | 13,2 lbs

PRODUCT OPTIONS

Bond | Wall Lamp

MATERIALS & FINISHES

Front lampshade: Brass, Nickel or Copper plate in polished or brushed Hammered finishing.

Back lampshade: Brass, Nickel or Copper plate in polished, brushed or antique finishing.

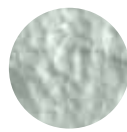
Front lampshade:



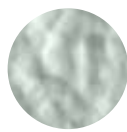
**HAMMERED
BRASS**
Polished



**HAMMERED
BRASS**
Brushed



**HAMMERED
NICKEL**
Polished



**HAMMERED
NICKEL**
Brushed



**HAMMERED
COPPER**
Polished



**HAMMERED
COPPER**
Brushed

Back lampshade:



BRASS
Polished



BRASS
Brushed



BRASS
Antique



NICKEL
Polished



NICKEL
Brushed



NICKEL
Antique



COPPER
Polished



COPPER
Brushed



COPPER
Antique

LIGHT DIRECTION

