



Core | 100 Mirror

A tree's core is a testament of the vital force of Nature, a realm where nothing is lost, all is merely transformed. The arches of this mirror are hand hammered in brass, shaped around a tree trunk. The mirror here represents time as a flat quasi-elliptical shape, therefore everlasting.

AS PICTURED

MATERIALS & FINISHES

Arches: Jagged Hammered Brass.

Mirror: Clear finishing.

DIMENSIONS

W: 98 cm | 38,6"

D: 5 cm | 2"

H: 100 cm | 39,4"

CUSTOM/BESPOKE

This product is suitable for custom size.

Range between:

W: 40 cm | 15,7" - 140 cm | 55,1"

D not customizable

H: 40 cm | 15,7" - 140 cm | 55,1"

ENVIRONMENT

This product is made for living areas in interior spaces only. This product is not specified for bathrooms, spa's or humid environments. Not suitable for exteriors.

VOLUME

0,05 m³ | 1,77 ft³

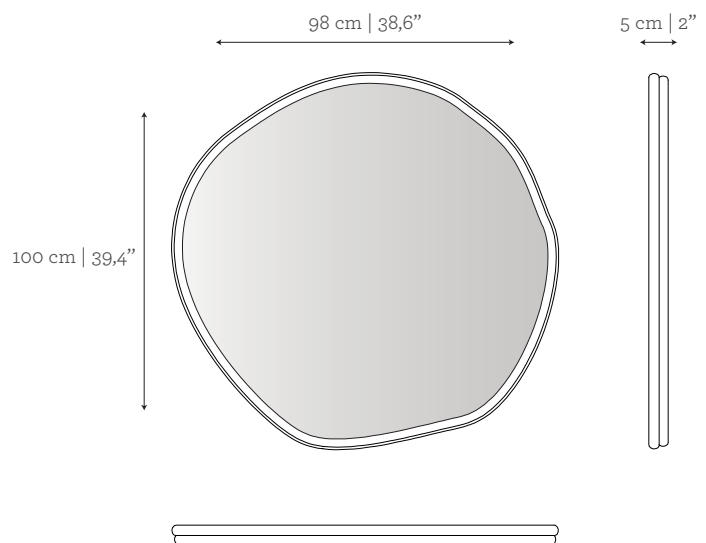
WEIGHT

13 kg | 28,7 lbs

Packed (in wooden case)

0,19 m³ | 6,71 ft³

46 kg | 101,4 lbs



PRODUCT OPTIONS

Core | 100 Mirror

MATERIALS & FINISHES

Arches: Brass, Nickel or Copper in jagged hammered finishing.

Mirror: Clear, Bronze or Smokey finishing.

Frame:



BRASS
Jagged
Hammered



NICKEL
Jagged
Hammered



COPPER
Jagged
Hammered

Mirror:



CLEAR



BRONZE



SMOKEY



Core | 70 Mirror

A tree's core is a testament of the vital force of Nature, a realm where nothing is lost, all is merely transformed. The arches of this mirror are hand hammered in brass, shaped around a tree trunk. The mirror here represents time as a flat quasi-elliptical shape, therefore everlasting.

AS PICTURED

MATERIALS & FINISHES

Arches: Jagged Hammered Brass.
Mirror: Clear finishing.

DIMENSIONS

W: 67 cm | 26,4"
D: 5 cm | 2"
H: 70 cm | 27,6"

CUSTOM/BESPOKE

This product is suitable for custom size.
Range between:
W: 40 cm | 15,7" - 140 cm | 55,1"
D not customizable
H: 40 cm | 15,7" - 140 cm | 55,1"

ENVIRONMENT

This product is made for living areas in interior spaces only. This product is not specified for bathrooms, spa's or humid environments. Not suitable for exteriors.

VOLUME

0,02 m³ | 0,71 ft³

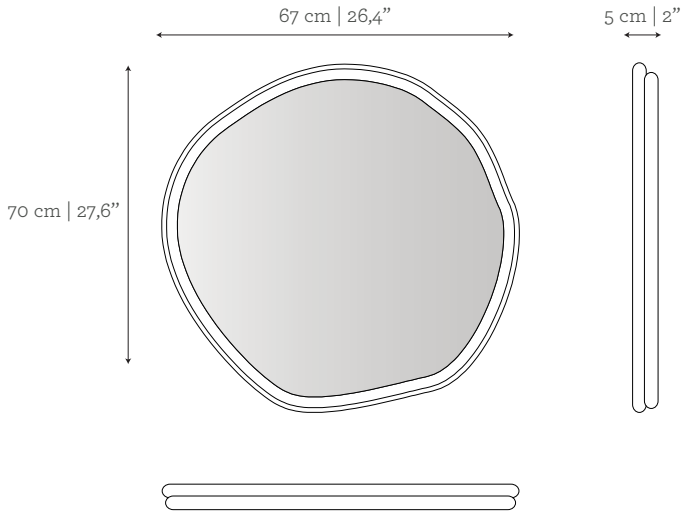
WEIGHT

8 kg | 17,6 lbs

Packed (in wooden case)

0,10 m³ | 3,53 ft³

35 kg | 77,2 lbs



PRODUCT OPTIONS

Core | 70 Mirror

MATERIALS & FINISHES

Arches: Brass, Nickel or Copper in jagged hammered finishing.

Mirror: Clear, Bronze or Smokey finishing.

Frame:



BRASS
Jagged
Hammered



NICKEL
Jagged
Hammered



COPPER
Jagged
Hammered

Mirror:



CLEAR



BRONZE



SMOKEY



Core | 40 Mirror

A tree's core is a testament of the vital force of Nature, a realm where nothing is lost, all is merely transformed. The arches of this mirror are hand hammered in brass, shaped around a tree trunk. The mirror here represents time as a flat quasi-elliptical shape, therefore everlasting.

AS PICTURED

MATERIALS & FINISHES

Arches: Jagged Hammered Brass.

Mirror: Clear finishing.

DIMENSIONS

W: 40 cm | 15,7"

D: 5 cm | 2"

H: 40 cm | 15,7"

CUSTOM/BESPOKE

This product is suitable for custom size.

Range between:

W: 40 cm | 15,7" - 140 cm | 55,1"

D not customizable

H: 40 cm | 15,7" - 140 cm | 55,1"

ENVIRONMENT

This product is made for living areas in interior spaces only. This product is not specified for bathrooms, spa's or humid environments. Not suitable for exteriors.

VOLUME

0,01 m³ | 0,35 ft³

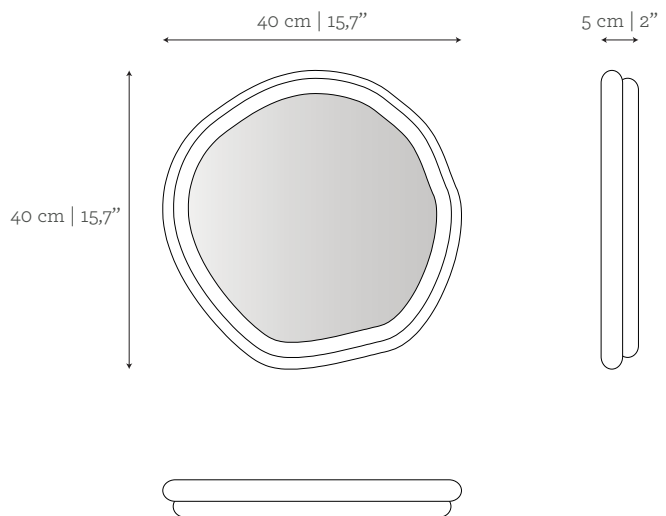
WEIGHT

3,5 kg | 7,7 lbs

Packed (in reinforced carton case)

0,02 m³ | 0,71 ft³

4,5 kg | 9,9 lbs



PRODUCT OPTIONS

Core | 40 Mirror

MATERIALS & FINISHES

Arches: Brass, Nickel or Copper in jagged hammered finishing.

Mirror: Clear, Bronze or Smokey finishing.

Frame:



BRASS
Jagged
Hammered



NICKEL
Jagged
Hammered



COPPER
Jagged
Hammered

Mirror:



CLEAR



BRONZE



SMOKEY