



## Lotus | Floor Lamp

Rising from a marble base, the Lotus springs to life, giving a soft light and a warm bronze light to a living space. The metal leaves have a fine hand crafted chiseled texture with a hammered finish.

### AS PICTURED

#### MATERIALS & FINISHES

**Exterior of the Leaves:** Chiseled and Hammered Brass.  
**Interior of the Leaves:** Polished Brass.  
**Top Tubes:** Polished Brass.  
**Bottom Tubes:** Antique Brass.  
**Base:** Carrara marble in polished finishing.

#### BULBS & VOLTAGE

3 x E14 LED, 4,5W 3200K 400lm | 230V  
**EU & UK** - Bulbs, sockets, switch and plugs included;  
**USA** - Wiring, bulbs, sockets and plug not included;  
**Non-EU requirements** - Please send an email to [info@gingerandjagger.com](mailto:info@gingerandjagger.com)

#### LIGHT CONTROL OPTIONS

Supplied with standard switch.  
 Dimmer switch available, upon request.  
 DALI controller system available  
 (upcharge over retail price), upon request.

#### CUSTOM/BESPOKE

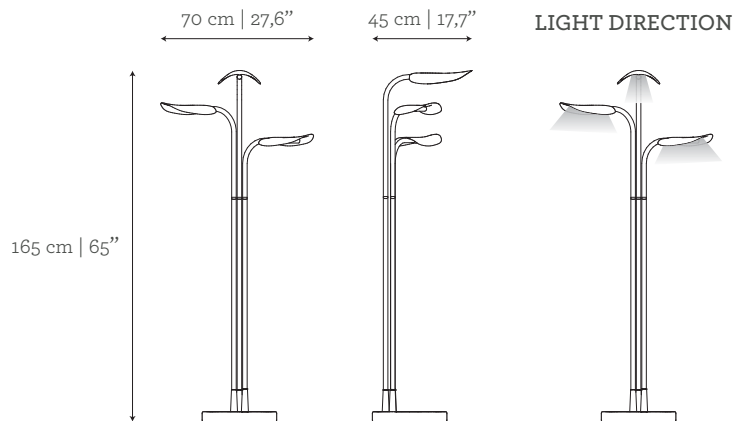
This product is suitable for custom size. Range between:  
 W: Not customizable  
 D: 45 cm | 17,7" - 60 cm | 23,6"  
 H: 140 cm | 55,1" - 200 cm | 78,7"

#### ENVIRONMENT

This product is made for living areas in interior spaces only. This product is not specified for bathrooms, spa's or humid environments. Not suitable for exteriors.

#### DIMENSIONS

W: 70 cm | 27,6"  
 D: 45 cm | 17,7"  
 H: 165 cm | 65"



#### VOLUME

0,52 m<sup>3</sup> | 18,36 ft<sup>3</sup>

#### Packed (in wooden case)

0,75 m<sup>3</sup> | 26,49 ft<sup>3</sup>

#### WEIGHT

35 kg | 77,2 lbs

80 kg | 176,4 lbs

PRODUCT OPTIONS

**MATERIALS & FINISHES**

**Exterior of the Leaves:** Brass, Nickel or Copper plate in chiseled and hammered finishing.

**Interior of the Leaves:** Brass, Nickel or Copper plate in polished finishing.

**Top & Bottom tubes:** Brass, Nickel or Copper plate in polished, brushed or antique finishing.

**Base:** Romano Travertine in natural finishing; or Carrara, Negro Marquina, Estremoz, Estremoz Rose or Guatemala Green marble in polished finishing.

**Exterior of the Leaves:**



**BRASS**  
Chiseled and Hammered



**NICKEL**  
Chiseled and Hammered



**COPPER**  
Chiseled and Hammered

**Interior of the Leaves:**



**BRASS**  
Polished



**NICKEL**  
Polished



**COPPER**  
Polished

**Top & Bottom Tubes:**



**BRASS**  
Polished



**BRASS**  
Brushed



**BRASS**  
Antique



**NICKEL**  
Polished



**NICKEL**  
Brushed



**NICKEL**  
Antique



**COPPER**  
Polished



**COPPER**  
Brushed



**COPPER**  
Antique

**Base:**



**CARRARA**  
Polished



**NEGRO MARQUINA**  
Polished



**ESTREMOZ**  
Polished



**ESTREMOZ ROSE**  
Polished



**GUATEMALA GREEN**  
Polished



**ROMANO TRAVERTINE**  
Natural