



Niagara | Suspension Lamp

The Niagara has an evocative silhouette reminiscent of water drops. This fine handcrafted piece provides warm and cosy light through its marble shades.

AS PICTURED

MATERIALS & FINISHES

Lampshade: Estremoz marble in honed finishing.
Metal details: Brushed Brass.
Electrical cables: Fabric.

BULBS & VOLTAGE

24 x E27 LED Dimmable, 4W 2700K 470lm | 230V
EU & UK - Bulbs and sockets included;
USA - Wiring, bulbs and sockets not included;
Non-EU requirements - Please send an email to info@gingerandjagger.com

LIGHT CONTROL OPTIONS

Dimmer compatible.
 DALI controller system available
 (upcharge over retail price), upon request.

CUSTOM/BESPOKE

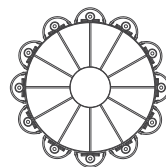
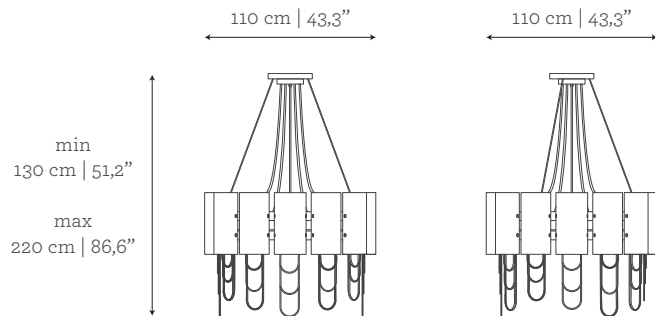
This product is suitable for custom size. Range between:
 Ø: 55 cm | 21,7" - 110 cm | 43,3"
 H: Customizable

ENVIRONMENT

This product is made for living areas in interior spaces only. This product is not specified for bathrooms, spa's or humid environments. Not suitable for exteriors.

DIMENSIONS

Ø: 110 cm | 43,3"
 H: Customizable



VOLUME

1,57 m³ | 55,44 ft³

Packed (in wooden case)

1,87 m³ | 66,04 ft³

WEIGHT

48 kg | 105,8 lbs

199 kg | 438,7 lbs

PRODUCT OPTIONS

Niagara | Suspension Lamp

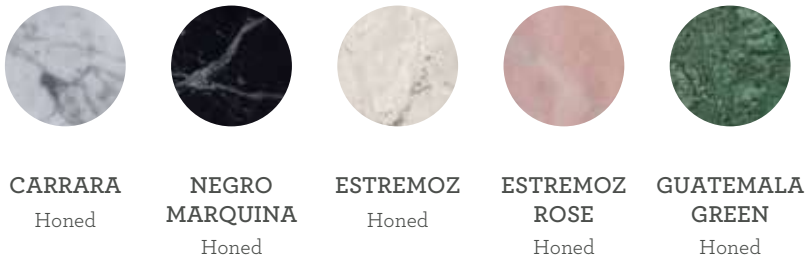
MATERIALS & FINISHES

Lampshades: Carrara, Negro Marquina, Estremoz, Estremoz Rose or Guatemala Green marble in honed finishing.

Metal details: Brass, Nickel or Copper plate in polished, brushed or antique finishing.

Electrical cables: Fabric.

Lampshades:



Metal details:



LIGHT DIRECTION

